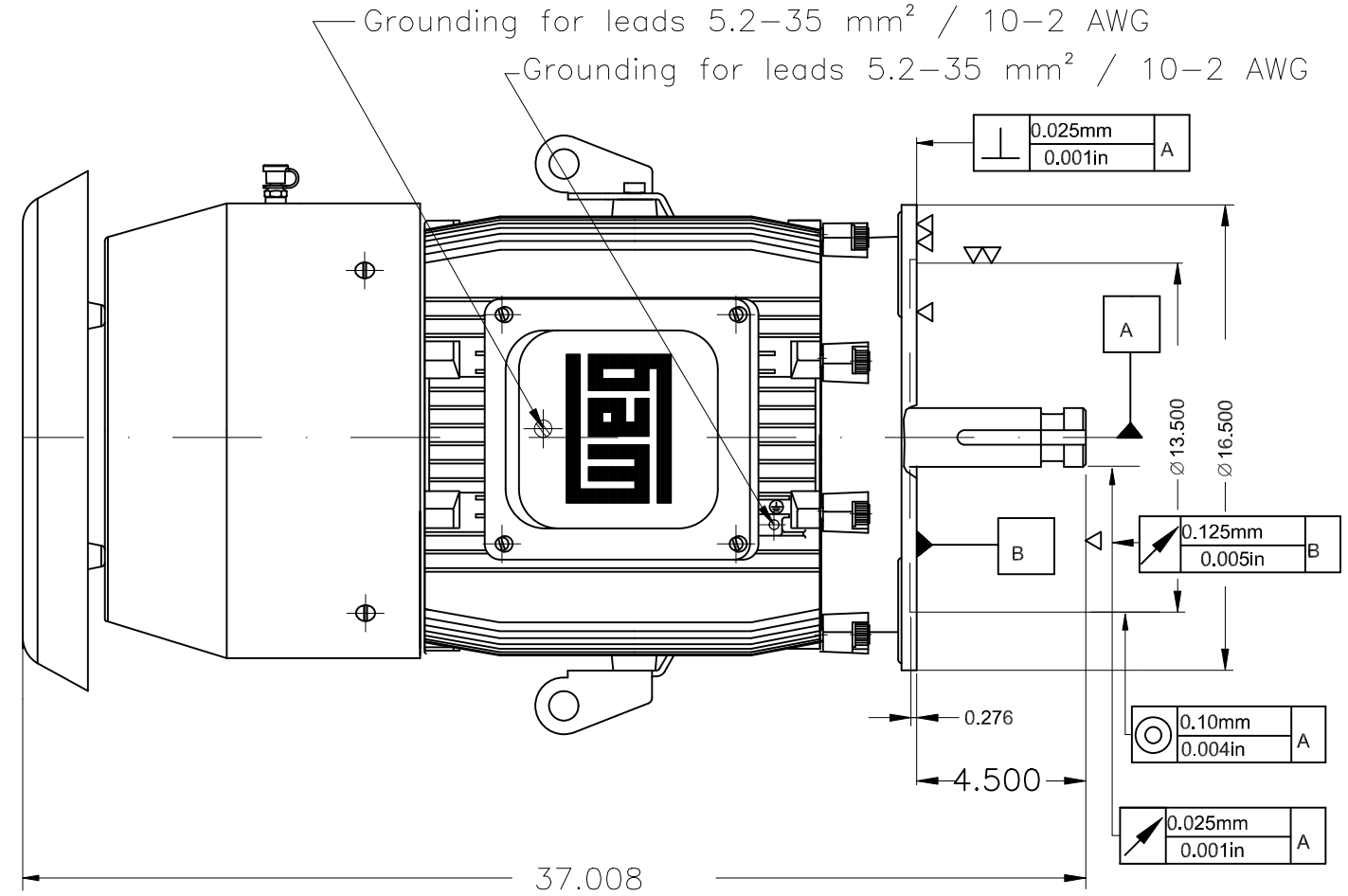
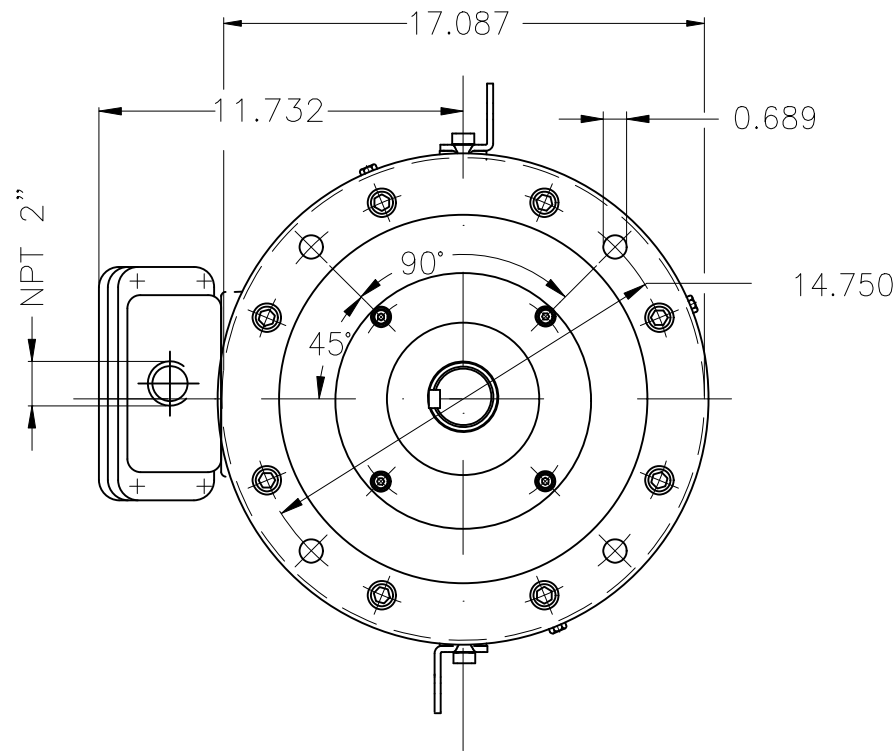
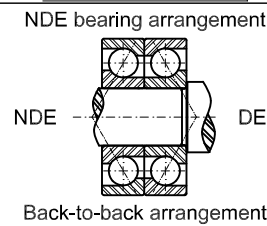
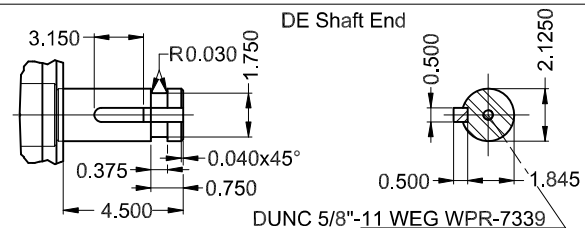


**ATENÇÃO/ATTENTION**  
 MOTOR DEVE SER LIGADO APENAS NA POSIÇÃO VERTICAL  
 MOTOR MUST BE ENERGIZED ONLY IN THE VERTICAL POSITION



- Design B
- Type "T" threaded drain plug
- Fan cover - steel plate
- Without switch off thermal protection
- Plastic flat plug
- Class F insulation - 80K temperature rise
- Without Space Heaters
- Rotation CW and CCW
- Dipping impregnation - polyester
- Grease outlet according to IEEE841
- Aluminum fan
- Bearing cap
- Without epoxy in the cables outlet
- Certification CSA/UL
- Packing - crate
- Fan coated with epoxy coating
- Without thermal protection on bearings
- Sealing - INPRO/SEAL
- Tirroil oil applied on endshields fittings
- Color RAL 5009
- Painting plan 202E
- Mounting NEMA W-6
- Mounting V1



	Bearing		Lubricant	
	DE	6212	MOBIL POLYREX EM	
NDE	7310BECB	MOBIL POLYREX EM		

50 HP 02 Poles 60 Hz A

ECM	LOC	SUMMARY OF MODIFICATIONS	EXECUTED	CHECKED	RELEASED	DATE	VER
EXECUTED	ARLETEDF	THREE PH. MOTOR IN LINE EXTRA THRUST NEMA PREM. EFF.					
CHECKED	GUILHERMEMC	FRAME 326LP IP55 TEFC					
RELEASED	GUILHERMEMC						
REL. DATE	07.11.2024	WMO JARAGUA DO SUL [Engenharia de Produto]					

CHANGED DESIGN 422550627

422448846/1 - MEC

ARLETEDF ARLETEDF SOUZAB 07.02.2025 03

PIRWBUSER SARANATALY SARANATALY 14.01.2025 02

1611494490

WDD 03

SHEET 1 / 1