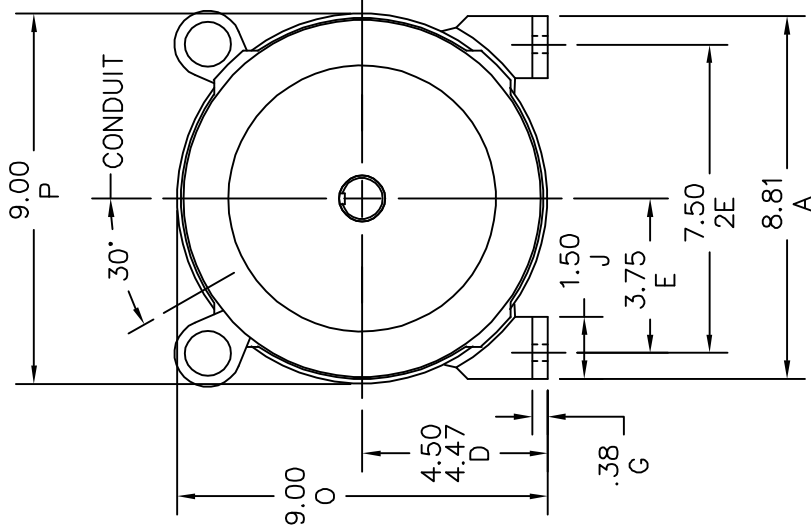


SHAFT RUNOUT .002 T.I.R. MAX.
 "V" DIMENSION IS MAX. HUB LENGTH ON SHAFT.
 APPROX. WEIGHT: 195 LB.
 ALL DIMENSIONS NOT NOTED ARE NOMINAL DIMENSIONS
 CONSULT FACTORY FOR TOLERANCES.



CUSTOMER IS RESPONSIBLE FOR DETERMINING THAT BALDOR'S PRODUCT WILL PERFORM SUITABLY IN THE INTENDED APPLICATION.

REV. DESC: CHANGE KEYWAY FROM 1.75 TO 1.38 LONG

REV. LTR: B VERSION: 02 TDR: 000000531849

FILE: \RGG\00005\857 REVISED: 03:06:04 03/05/2010

MTL: - BY: RGGWT

BALDOR • DODGE • RELIANCE

1810AT, GENERATOR, DPFG

SH 1 of 1