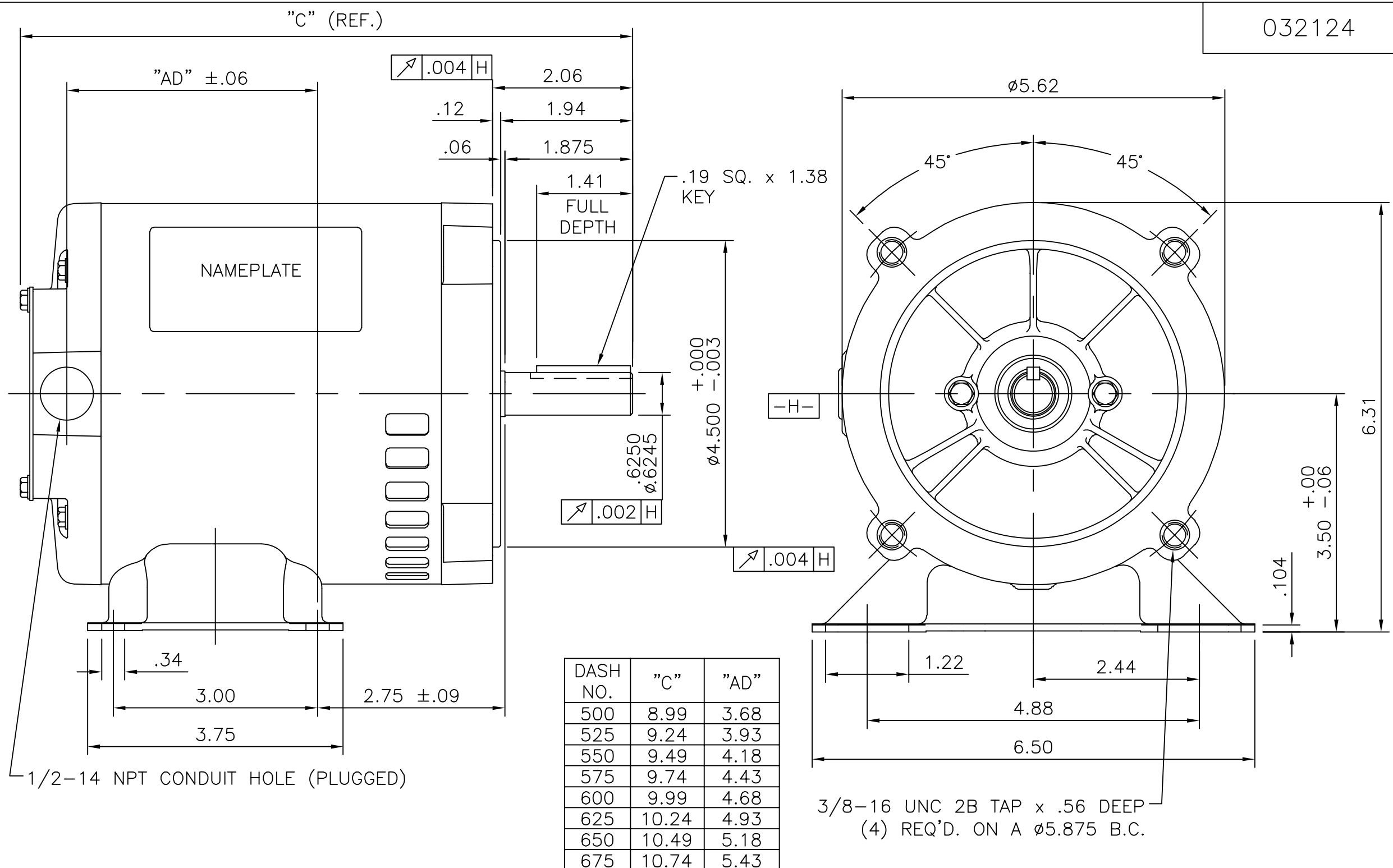



032124



		TOLERANCES UNLESS SPECIFIED		 ELECTRIC MOTORS GEARMOTORS AND DRIVES	DRAWN JD 02/03/15	
		DEC.	INCHES		CHK	
		.X	±.1		APPD	
		.XX	±.03		SCALE 1=2	
		.XXX	±.005		REF 031800	
		.XXXX	±.0005	MAT'L. 3 PHASE		
		.XXXXX	±1/2'	FINISH		
NO.	REVISION	BY & DATE	CHK	ANG	±1/2'	PREV
THIS DRAWING IN DESIGN AND DETAIL IS OUR PROPERTY AND MUST NOT BE USED EXCEPT IN CONNECTION WITH OUR WORK ALL RIGHTS OF DESIGN AND INVENTION ARE RESERVED THIS IS AN ELECTRONICALLY GENERATED DOCUMENT - DO NOT SCALE THIS PRINT				RFP	CAD FILE 032124	SIZE A
				DIST	DRAWING NO. 032124	REV.