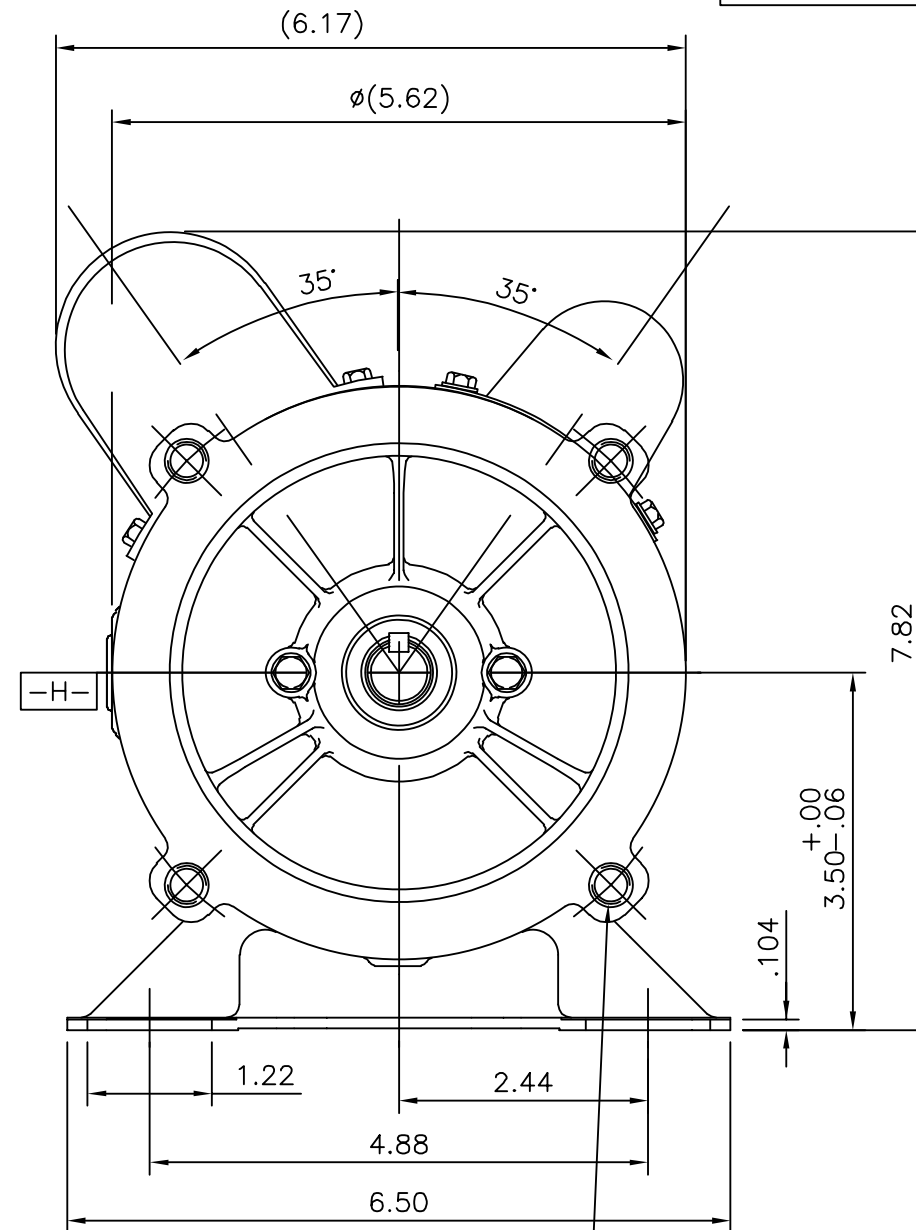
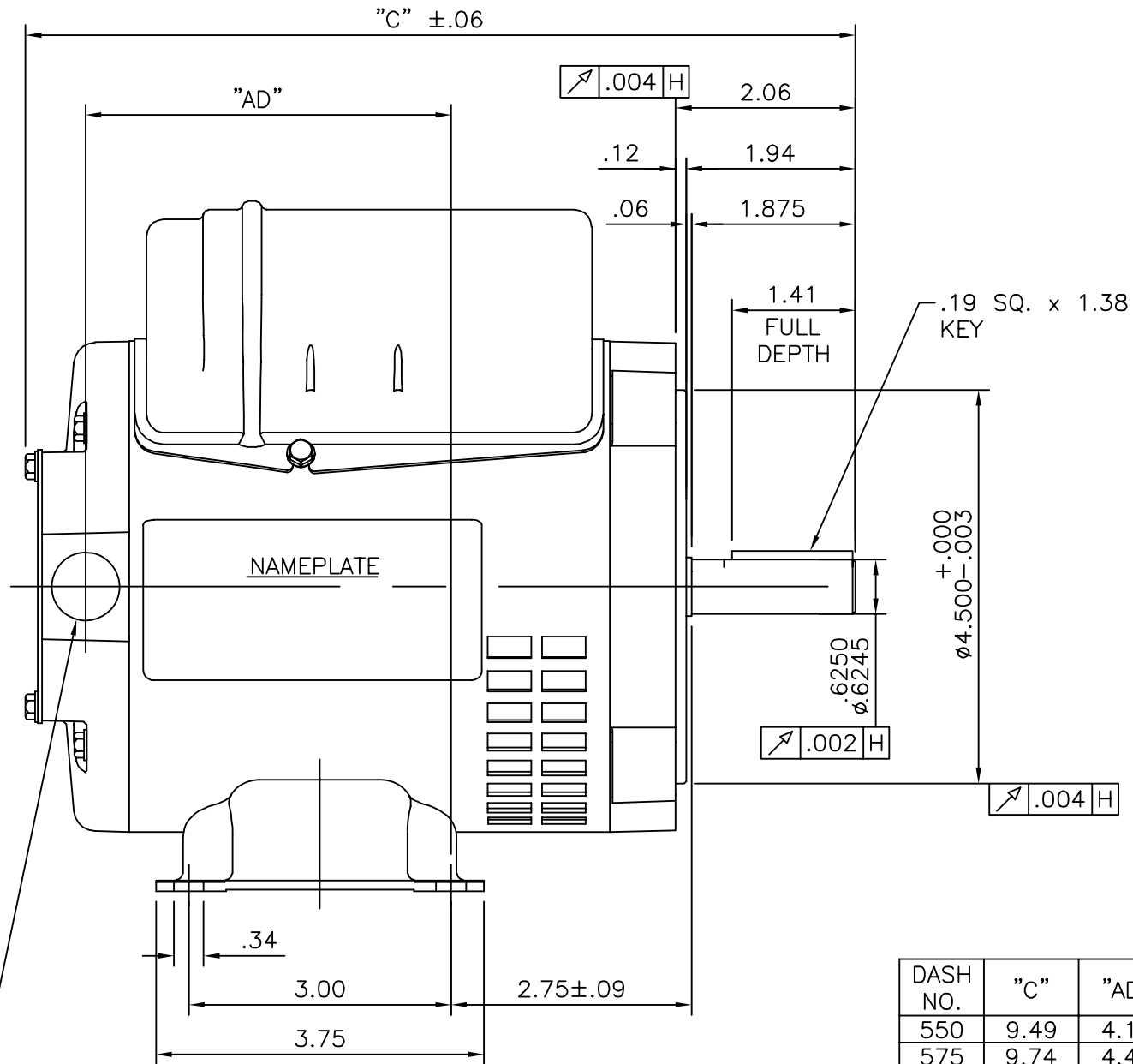


SS404120



DASH NO.	"C"	"AD"
550	9.49	4.18
575	9.74	4.43
600	9.99	4.68
625	10.24	4.93
650	10.49	5.18
675	10.74	5.43
700	10.99	5.68
725	11.24	5.93
750	11.49	6.18

3/8-16 UNC 2B TAP x .56 DEEP
(4) REQ'D. ON A φ5.875 B.C.

1/2-14 NPT
CONDUIT HOLE
(PLUGGED)

TOLERANCES
UNLESS SPECIFIED

DEC.	INCHES
.X	±.1
.XX	±.03
.XXX	±.005
.XXXX	±.0005
ANG	±7'30"

REGAL™ Regal Beloit America, Inc.

TITLE OUTLINE
S56 FRAME RIGID MOUNT - DRIP PROOF

DRAWN	JAH 12/02/2014
CHK	SM 12/02/2014
APPD	
SCALE	NTS
REF	SS404118
FMF	
PREV	

NO.	REVISION	BY & DATE	CHK	ANG	FINISH
A	CREATED NEW DRAWING	JAH 12/02/2014	SM	.XXXX	±.0005

THIS DRAWING IN DESIGN AND DETAIL IS OUR PROPERTY AND MUST NOT BE USED EXCEPT IN CONNECTION WITH OUR WORK ALL RIGHTS OF DESIGN AND INVENTION ARE RESERVED THIS IS AN ELECTRONICALLY GENERATED DOCUMENT - DO NOT SCALE THIS PRINT

RFP	CAD FILE SS404120	SIZE	DRAWING NO.	PAGE	1 OF 1	REV.
DIST	WP	A	SS404120			A