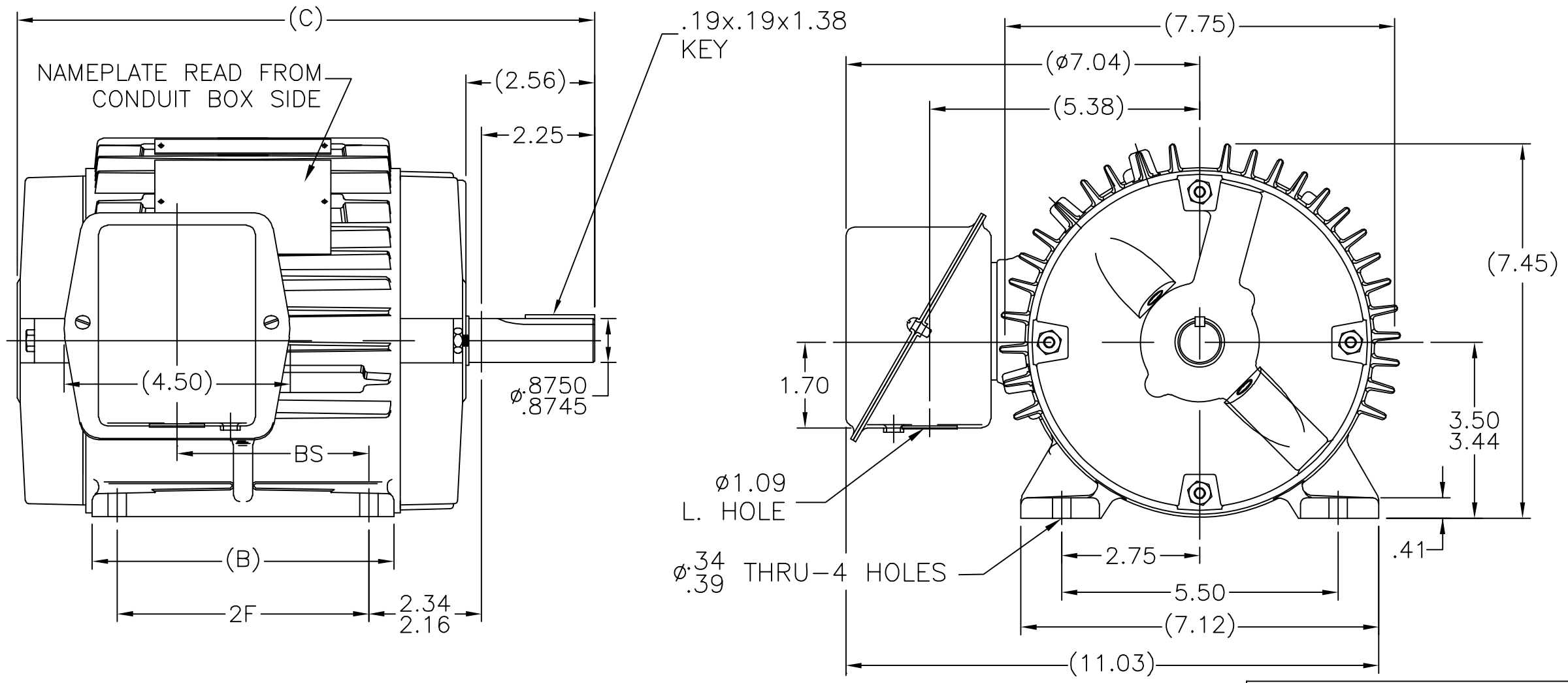
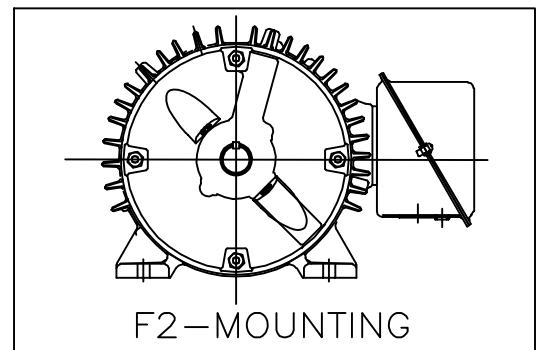


100655



- NOTES:
- 1- BOX CAN BE ROTATED IN 90° STEPS.
 - 2- BOX CAN BE MOUNTED ON OPPOSITE SIDE BY REMOVING BRACKETS AND TURNING FRAME 180°.
 - 3- FRONT GREASE HOLE LOCATIONS SHOWN WITH HIDDEN LINES.



DASH	FR.	B	C	BS	2F
525	143T	5.00	10.43	2.81	4.00
625	145T	6.00	11.43	3.81	5.00

10	ADDED F2-MOUNTING	PST 05/05/2014	SM	TOLERANCES UNLESS SPECIFIED		<p>MARATHON ELECTRIC</p> <p>TITLE OUTLINE 140T FR. - BB - TS - TENV</p> <p>MAT'L.</p> <p>FINISH</p>	DRAWN RM 10-27-1992
9	CORRECTED FOOT MOUNTING DIMENSIONS	DRS 10-13-2005		DEC.	INCHES		CHK ML 10-28-1992
8	REDRAWN IN AUTOCAD	TAT 06-29-2004	ML	.X	±.1		APPD GK 10-28-1992
7	BA TOLERANCE CHANGED TO ±.090 CN 27601	CAE 03-12-1999		.XX	±.03		SCALE 11=32
6	REV. -525 BS DIM. TO 2.81, WAS 3.51 CN 25600-161	BLR 04-22-1998		.XXX	±.005		REF
5	REF. WAS STANDARD DIM. CN 23975-2	MH 02-13-1997		.XXXX	±.0005	FMF	
NO.	REVISION	BY & DATE	CHK	ANG	±7'30"	PREV	

THIS DRAWING IN DESIGN AND DETAIL IS OUR PROPERTY AND MUST NOT BE USED EXCEPT IN CONNECTION WITH OUR WORK ALL RIGHTS OF DESIGN AND INVENTION ARE RESERVED THIS IS AN ELECTRONICALLY GENERATED DOCUMENT - DO NOT SCALE THIS PRINT

RFP	CAD FILE 100655	SIZE A	DRAWING NO. 100655	PAGE OF	REV. 10
DIST LB-WP					