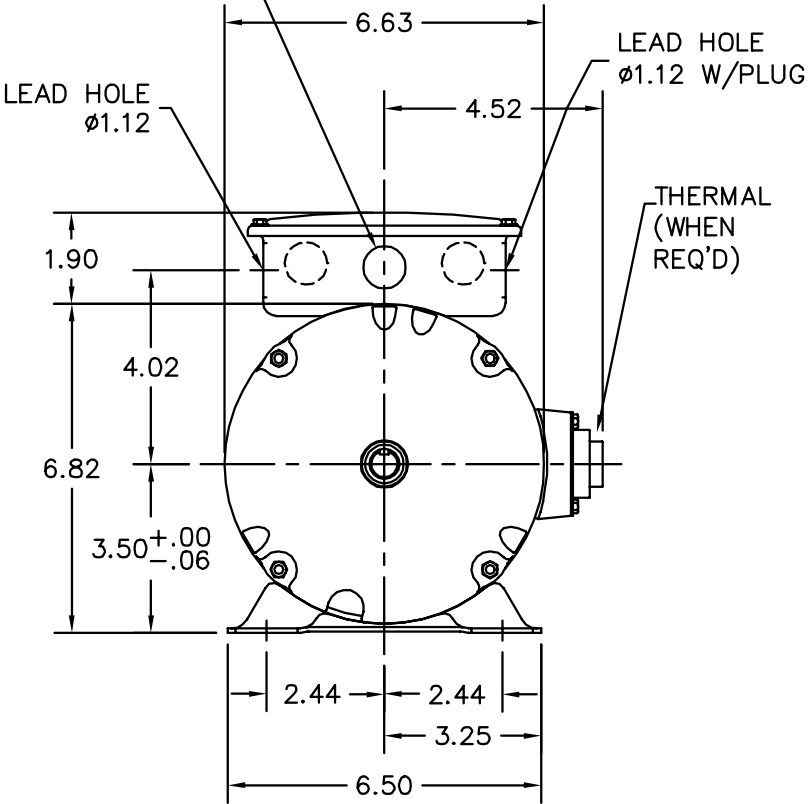
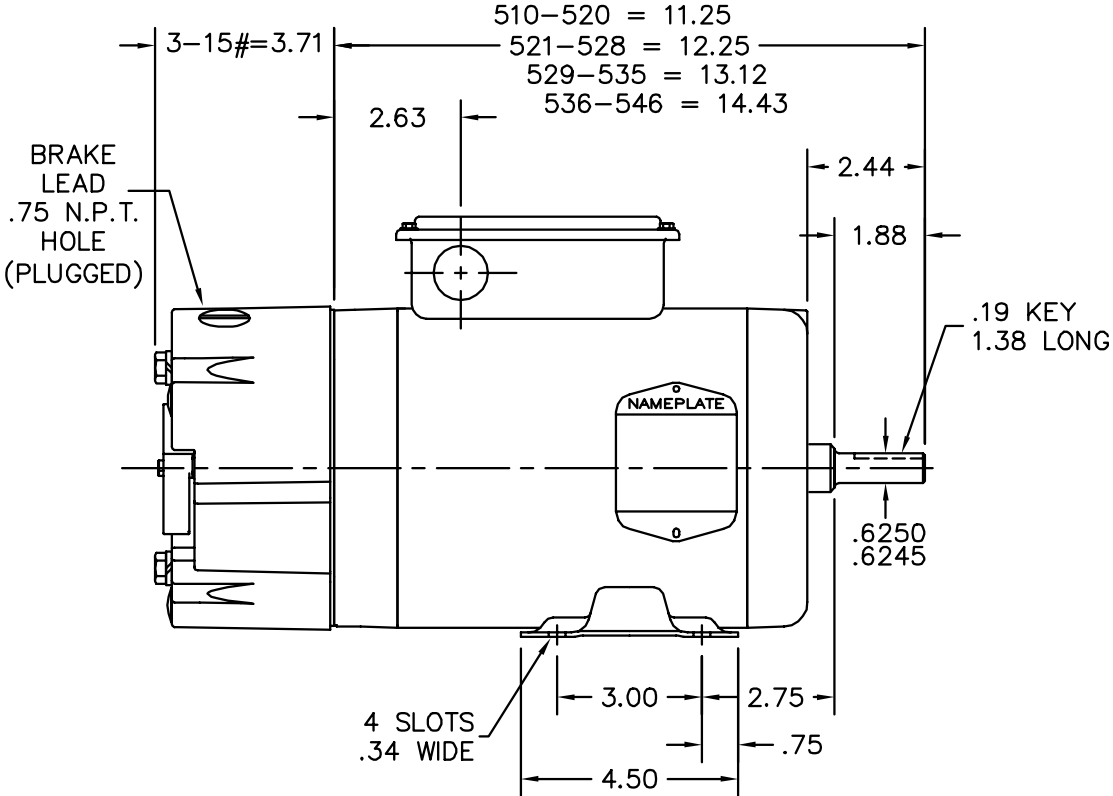


1 X ϕ .88 KNOCKOUT (PU. END)
2 X ϕ .88 KNOCKOUT (FR. END)



CUSTOMER IS RESPONSIBLE FOR DETERMINING THAT BALDOR'S PRODUCT WILL PERFORM SUITABLY IN THE INTENDED APPLICATION.

REV. DESC: 46BR1004 WAS 41BR0001		
REV. LTR: B	VERSION: 02	TDR: 000000513023
FILE: \AAA\00152\719	REVISED: 10: 48: 07 09/25/2009	
MTL: -	BY: ENBRYPO	

BALDOR • DODGE • RELIANCE

HOR 56 TENV M F3 W/DODGE 'D' SERIES BRAKE, W/35CB4007