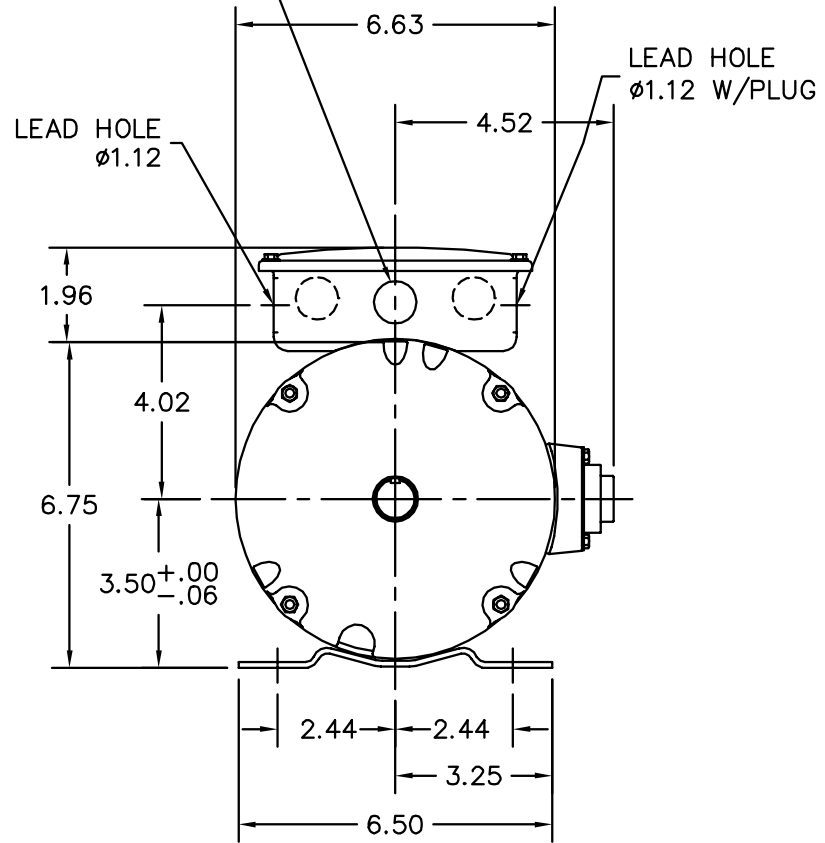
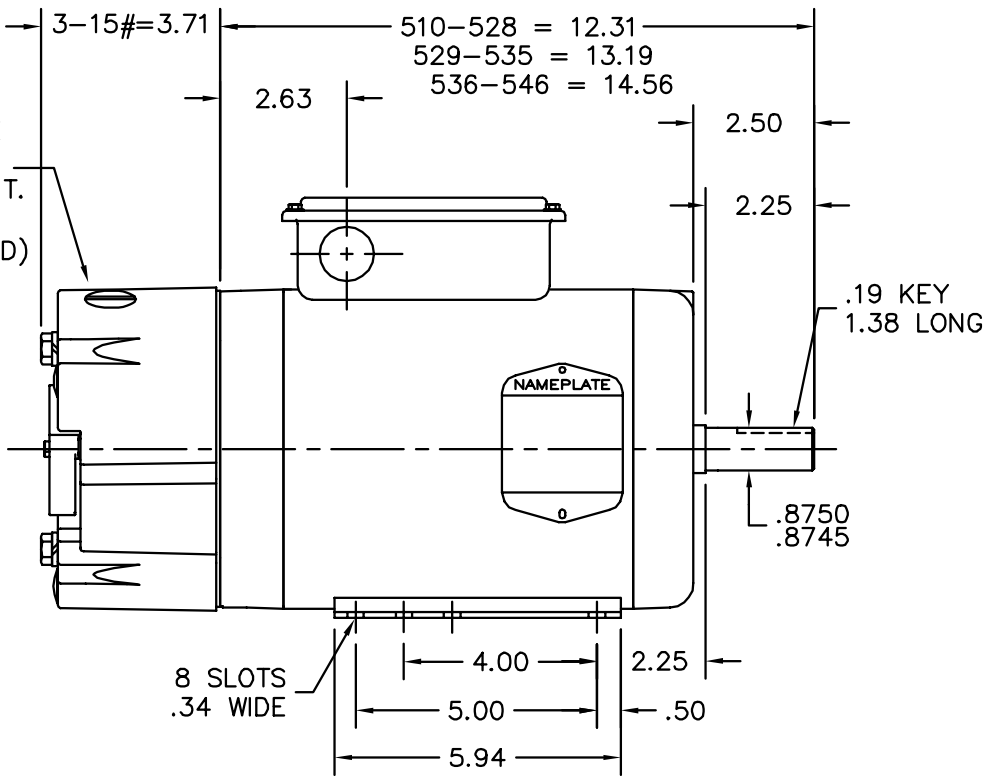


1 X Ø.88 KNOCKOUT (PU. END)
 2 X Ø.88 KNOCKOUTS (FR. END)

3-15# = 3.71
 BRAKE LEAD
 .75 N.P.T.
 HOLE
 (PLUGGED)



CUSTOMER IS RESPONSIBLE FOR DETERMINING THAT BALDOR'S PRODUCT WILL PERFORM SUITABLY IN THE INTENDED APPLICATION.

REV. DESC: 46BR1004 WAS 41BR0001		
REV. LTR: B	VERSION: 02	TDR: 000000513023
FILE: \AAA\00153\671	REVISED: 02:37:04 09/28/2009	
MTL: -	BY: ENBRYPO	

BALDOR • DODGE • RELIANCE

HOR 143-5TY TENV M F3 W/DODGE 'D' SERIES BRAKE W/35CB4007

SH 1 of 1

35LYX164