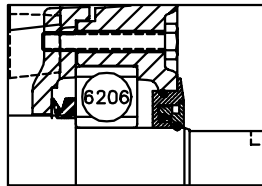
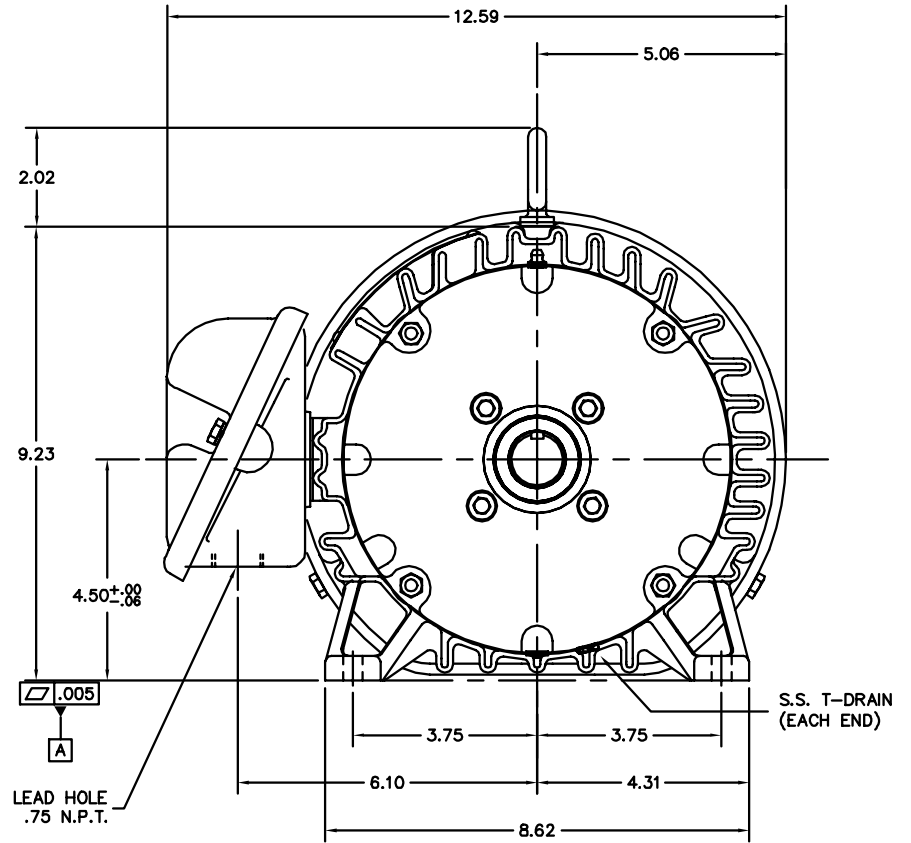


FRONT END DETAIL



PULLEY END DETAIL



CUSTOMER IS RESPONSIBLE FOR DETERMINING THAT BALDOR'S PRODUCT WILL PERFORM SUITABLY IN THE INTENDED APPLICATION.

REV. DESC: FIX GRAPHICS FOR KO LID	VERSION: 05	TDR: 00000892478
REV. LTR: E	REVISED: 08:41:12 02/13/2015	BY: ENALEMO
FILE: \AAA\00118\093		
MTL: -		

BALDOR

STD HORZ 182-4T TEFC 06M (ECP) IEEEB41 (614-643)

SH 1 of 1