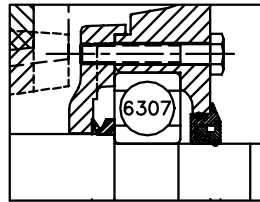
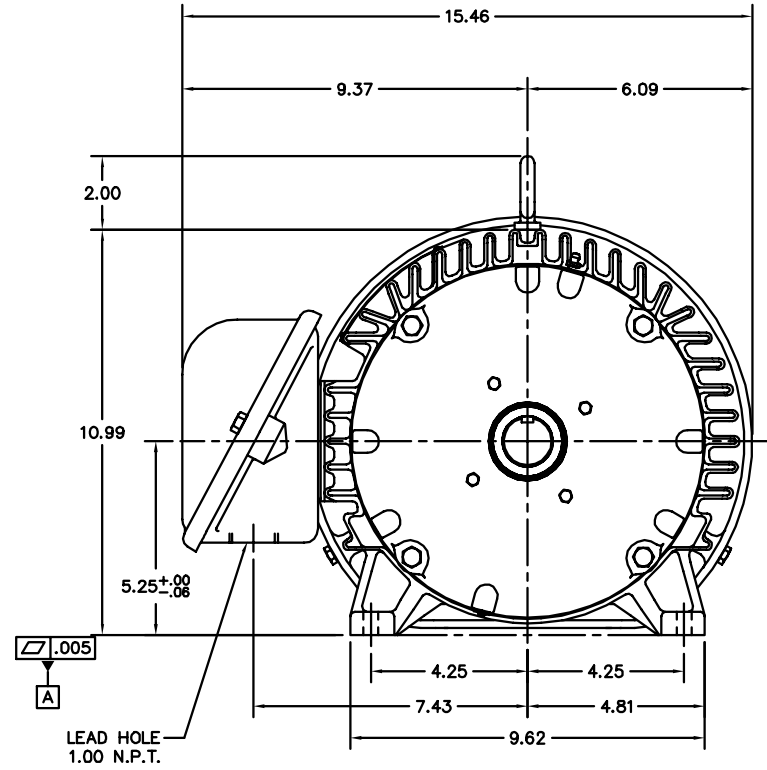


FRONT END DETAIL



PULLEY END DETAIL



CUSTOMER IS RESPONSIBLE FOR DETERMINING THAT BALDOR'S PRODUCT WILL PERFORM SUITABLY IN THE INTENDED APPLICATION.

REV. DESC: MOVE FAN HOUSING TO CORRECT POSITION - UPDATE CLAS		
REV. LTR: E	VERSION: 05	TDR: 000000783028
FILE: \AAA\00118\406	REVISED: 10:52:08 01/25/2013	BY: ENCARJO
MTL: -		

**BALDOR**

STD HORZ 213-5T TEFC 07M (ECP) IEEEB41

SH 1 of 1