

DUTY MASTER ALTERNATING CURRENT MOTORS

SQUIRREL-CAGE INDUCTION
CAST IRON CONSTRUCTION

FRAMES 364TS-365TS
841-XL WITH STANDARD OVERSIZED CONDUIT BOX

COOLING: FAN COOLED

ENCLOSURE: TOTALLY ENCLOSED
MOUNTING: FOOT

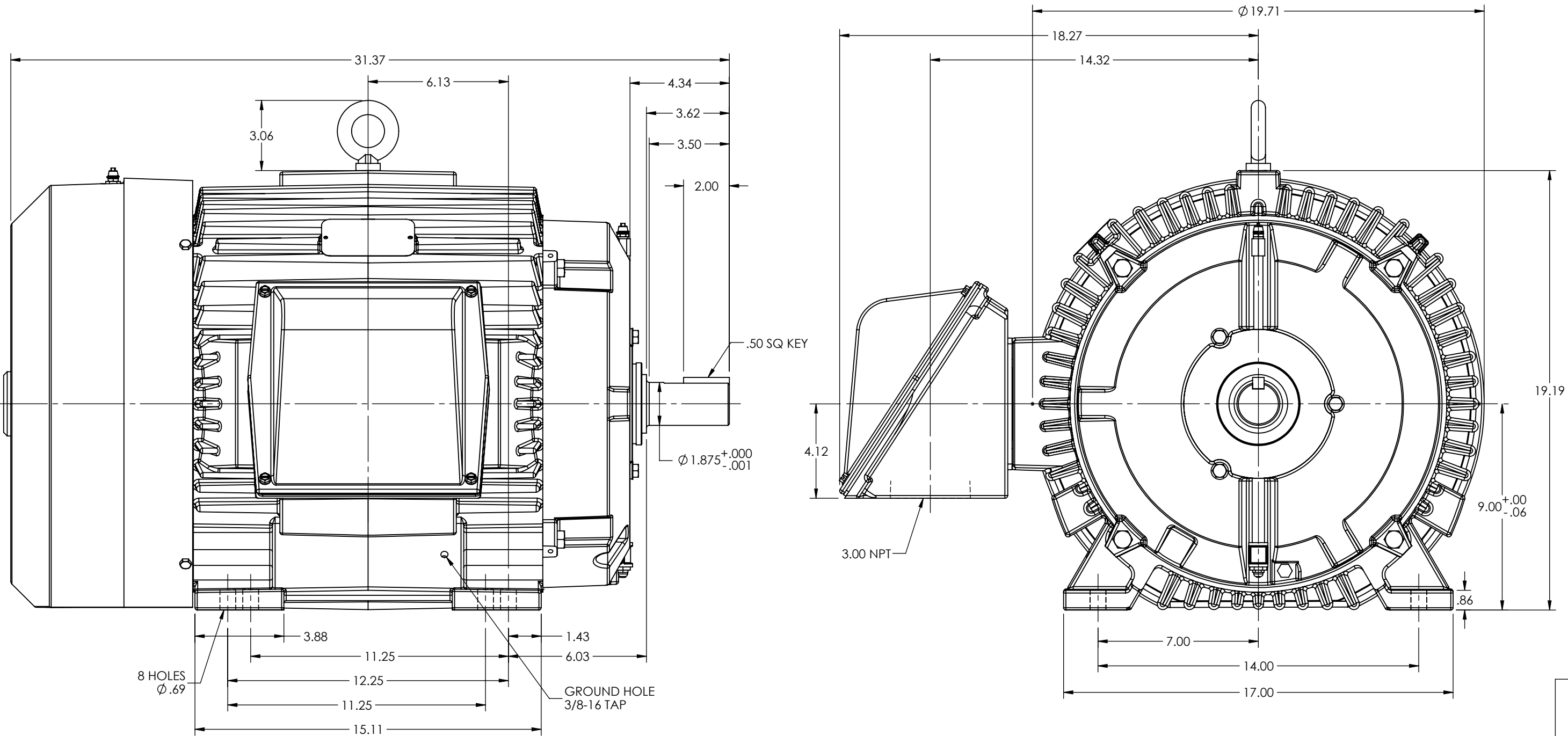
617428-001

D

C

B

A



D

C

B

A

CUSTOMER IS RESPONSIBLE FOR DETERMINING THAT BALDOR'S PRODUCT WILL PERFORM SUITABLY IN THE INTENDED APPLICATION

WEIGHT (LBS): 364TS = 859
365TS = 884
MOTOR WEIGHTS MAY VARY BY 15% DEPENDING UPON RATING.

REV. DESC: NEW FROM 611760-570-SH1			
REV: -	VERSION: 00	REVISED: 10:58:03 03/07/2013	TDR: 000000788972
MODEL NO. 617428-001			REF:
BY: ENWINB0			B

BALDOR

DIM SHT TEFC 364-365TS STD BRKT 841-XL OS C BOX

617428-001

8 7 6 5 4 3 2 1