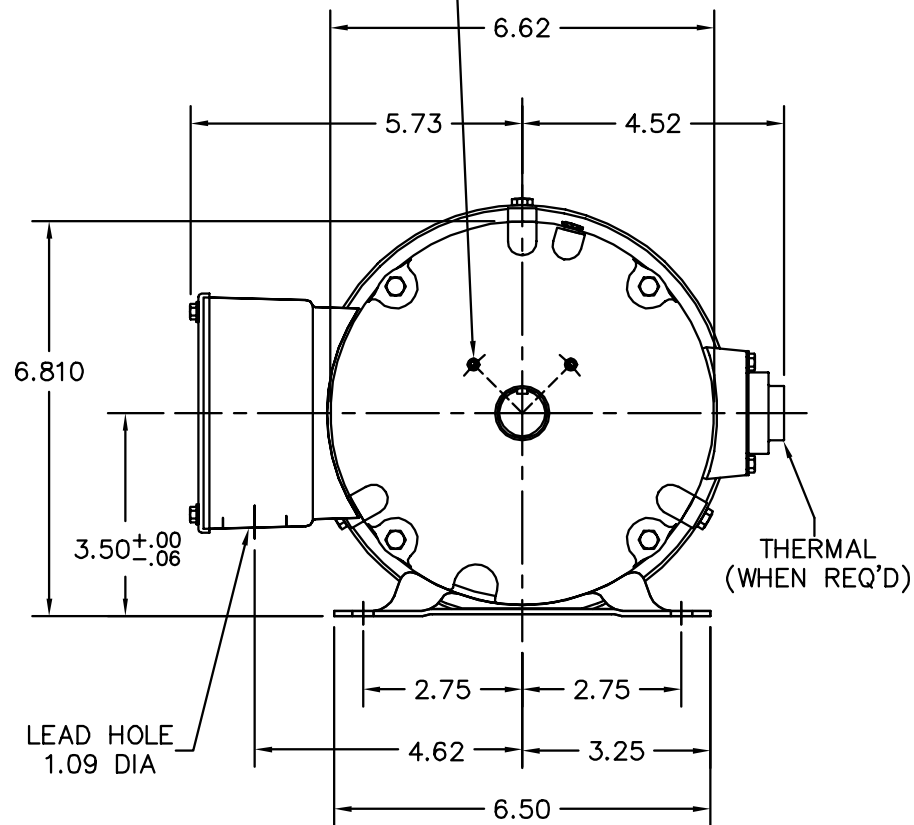
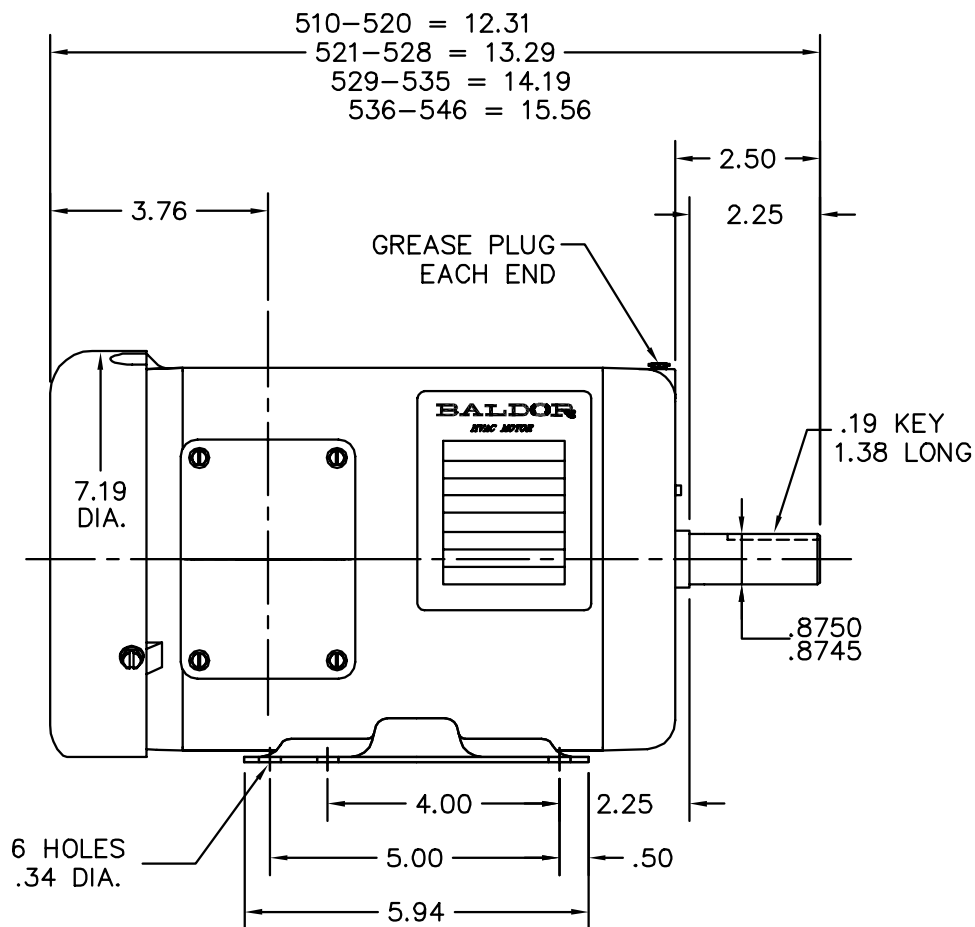


2 HOLES  
#5-40 TAP  
2.38 DIA. B.C.  
90° APART  
W/ SCREWS



CUSTOMER IS RESPONSIBLE FOR DETERMINING THAT BALDOR'S PRODUCT WILL PERFORM SUITABLY IN THE INTENDED APPLICATION.

REV. DESC: ADDED AEGIS SPLIT RING MTG HOLES TO PULLEY EP		
REV. LTR: A	VERSION: 01	TDR: 00000722760
FILE: \AAA\00175\984	REVISED: 01:09:27 12/07/2011	
MTL: -	BY: ENTANWO	

**BALDOR**

HOR 143-5T TEFC M W/GREASE PLUGS (HVAC) 1.09 LH, AEGIS SR

SH 1 of 1