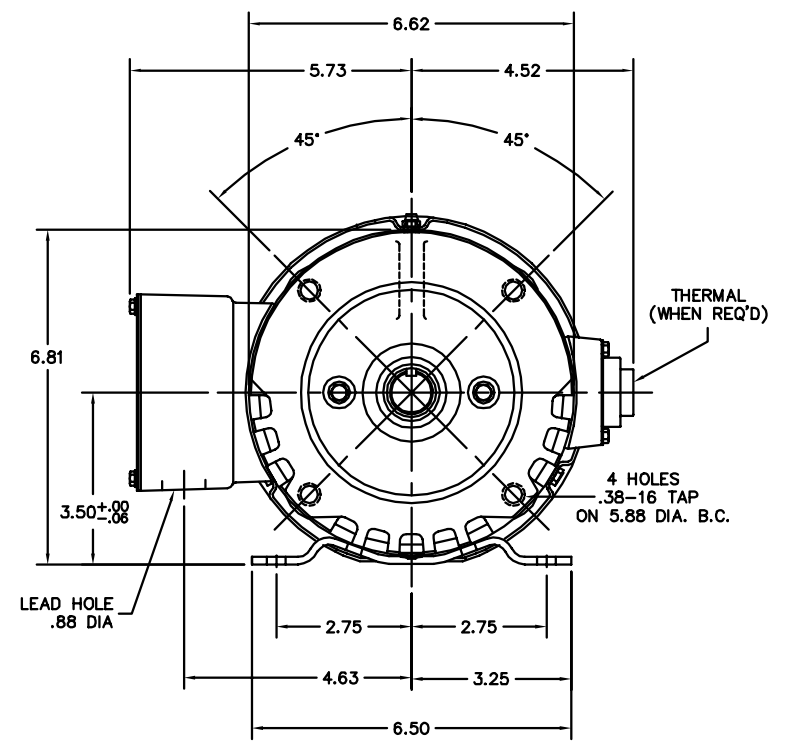
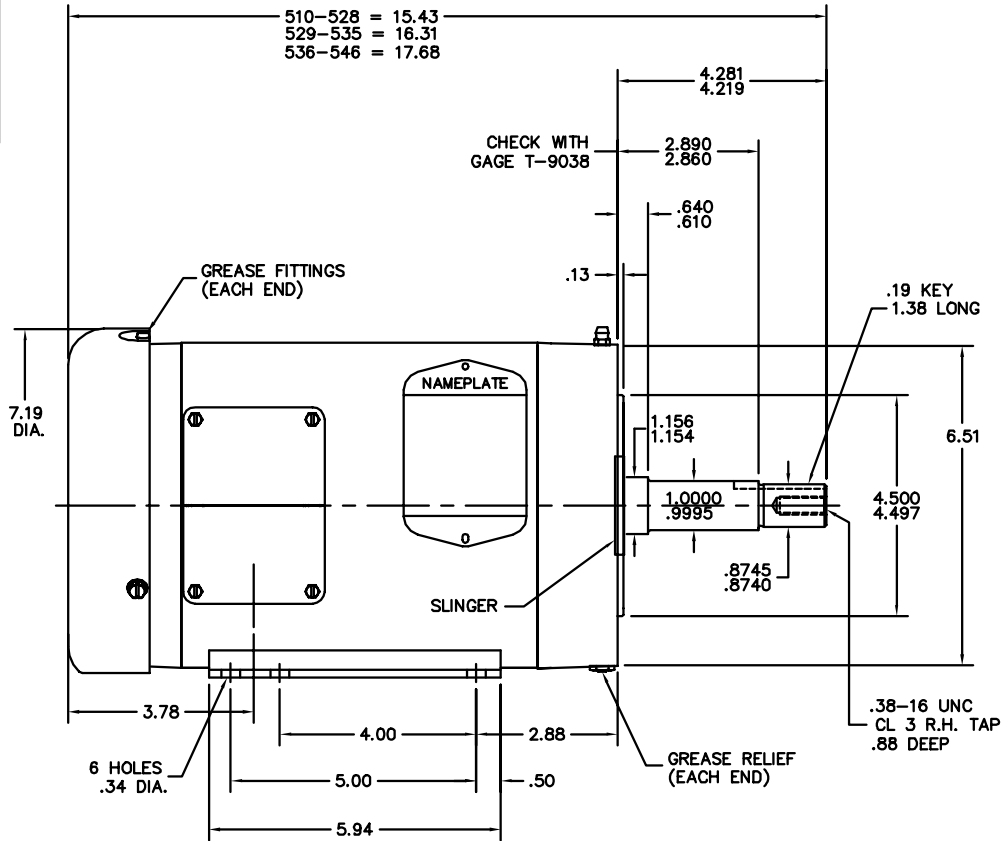
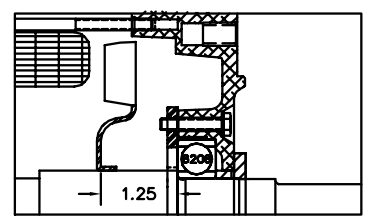


35LYT921



PULLEY END DETAIL



CUSTOMER IS RESPONSIBLE FOR DETERMINING THAT MOTOR PERFORMANCE IS SUITABLE IN THE APPLICATION.

REV. DESC: NEW			
REV. LTR: -	BY: KCT	REVISED: 13:43:24 11/05/2003	TDR: 317084
FILE: AAA00111048	REF: 35LYT921		
MTL: -			

BALDOR ELECTRIC Co.

HORZ FACE MTD 143-5JM TEFC 35M,2 POLE "W" BASE(35BA4009)

35LYT921