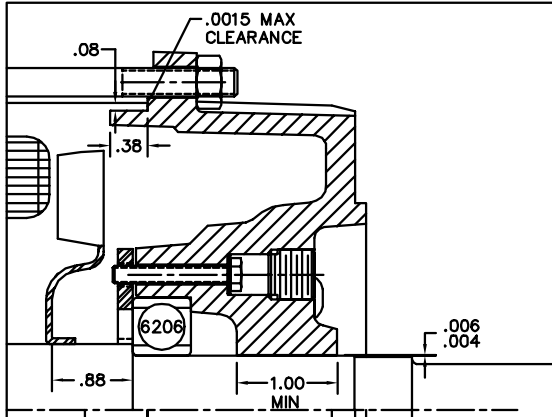
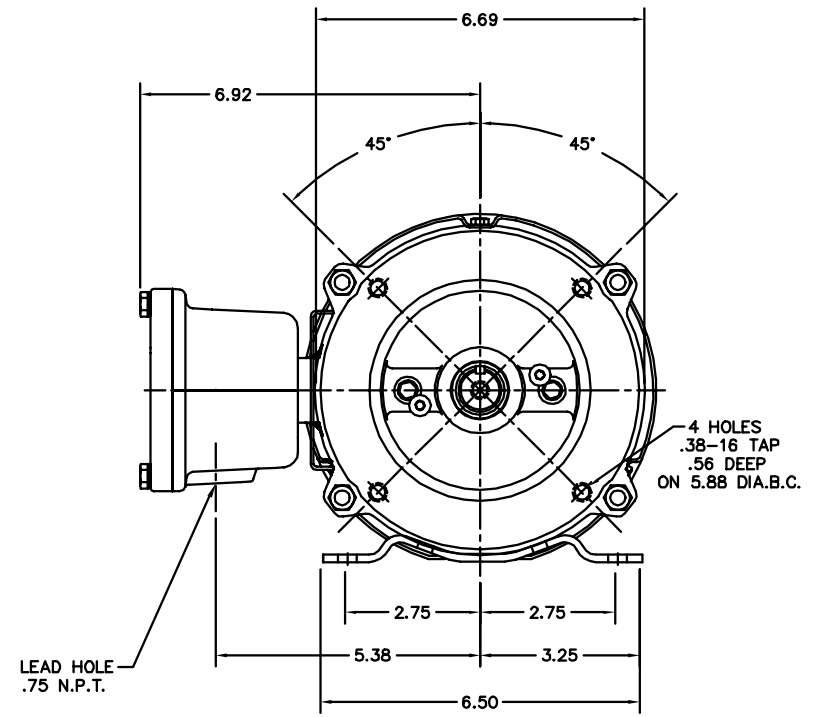
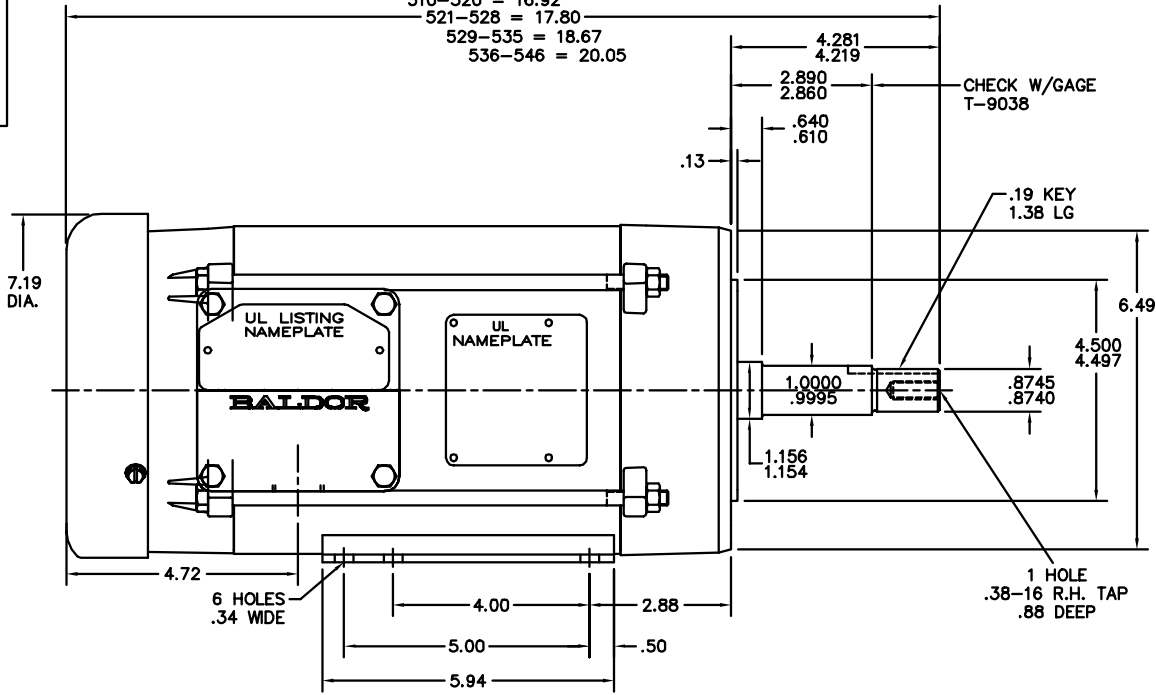


35LYT904

510-520 = 16.92
521-528 = 17.80
529-535 = 18.67
536-546 = 20.05



CUSTOMER IS RESPONSIBLE FOR DETERMINING THAT MOTOR PERFORMANCE IS SUITABLE IN THE APPLICATION. UL CLASS I - GROUP D

REV. DESC: NEW			
REV. LTR: -	BY: KCT	REVISED: 13:52:27 11/06/2003	TDR: 315702
FILE: AAA00110912			REF: 35LYT904
MTL: -			

BALDOR ELECTRIC Co.

HOR 143-5JM TEFC X35M CL I-GP D,2 POLE "W" BASE (35BA4009)

35LYT904