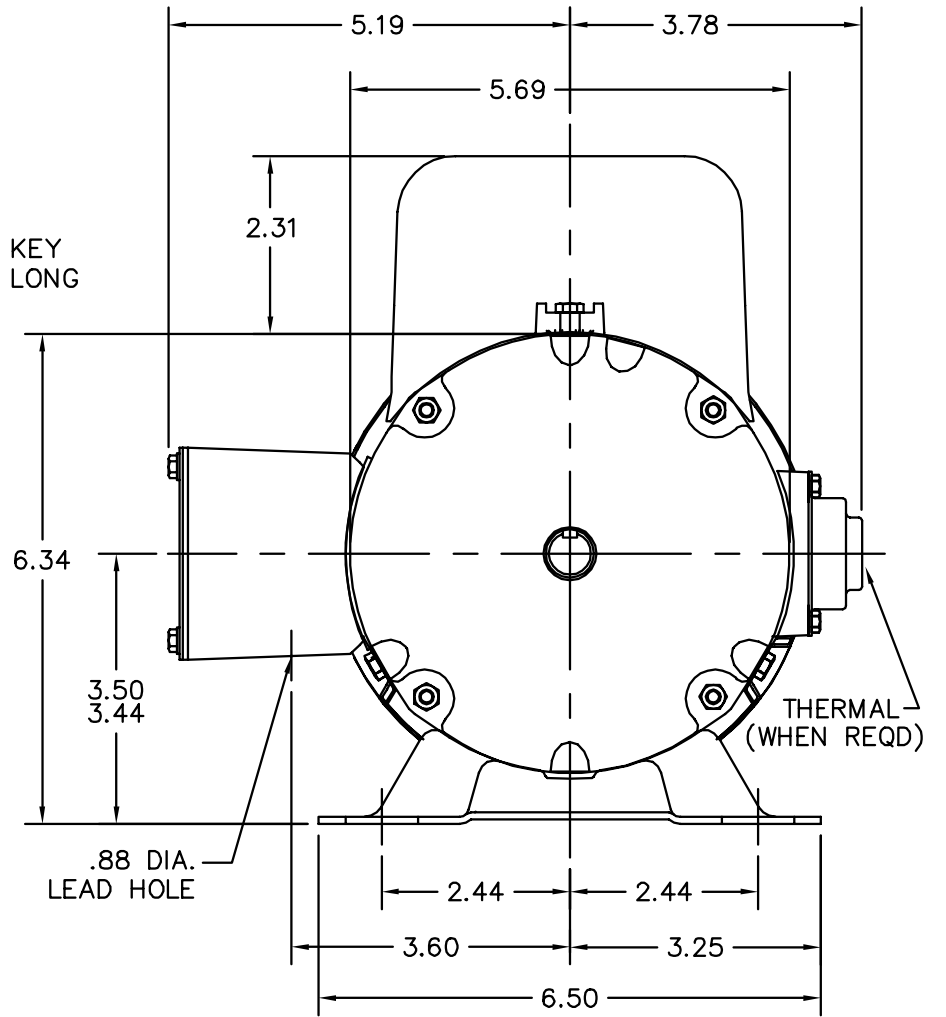


.188 KEY
 1.38 LONG



CUSTOMER IS RESPONSIBLE FOR DETERMINING THAT MOTOR PERFORMANCE IS SUITABLE IN THE APPLICATION.

REV. DESC: UPDATE GRAPHIC TO MATCH WITH BOM			
REV. LTR: B	VERSION: 01	TDR: 000000410278	
	FILE: \AAA\00038\540	REVISED: 07:05:10 10/06/2006	
	MTL: -	BY: ENROSTO	

BALDOR ELECTRIC Co.

HORZ 34LC NEMA 56 TEFC