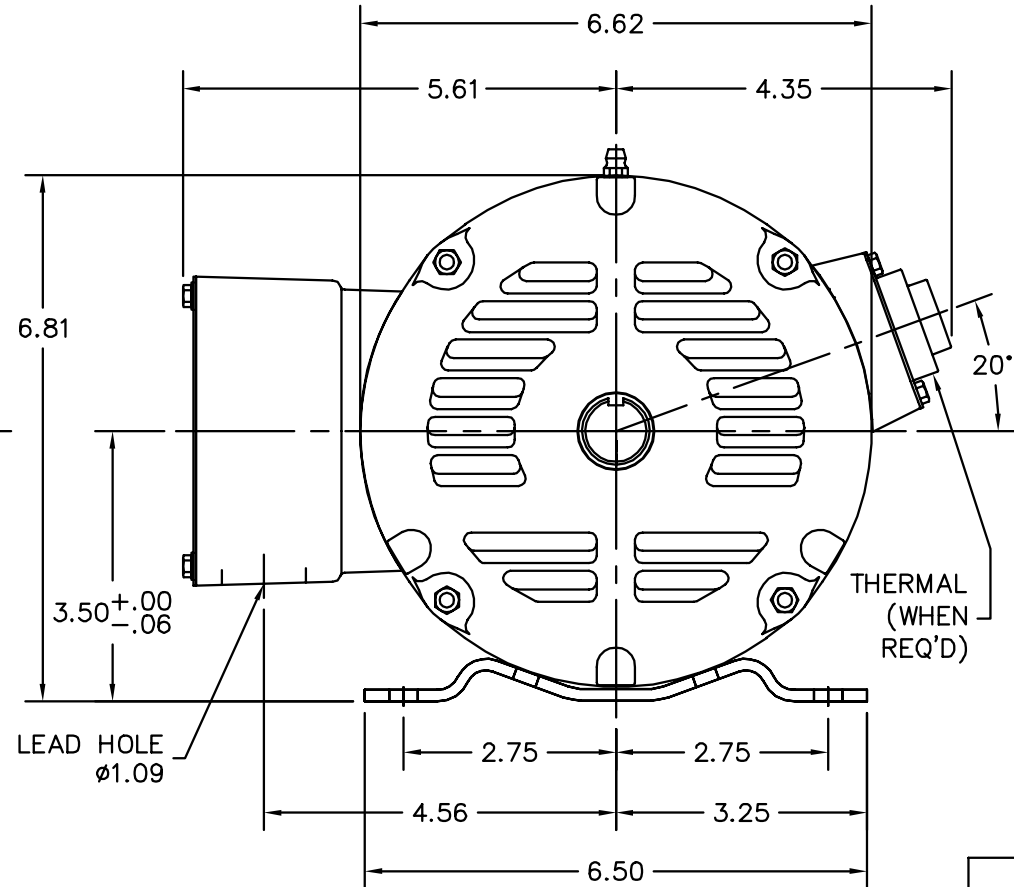
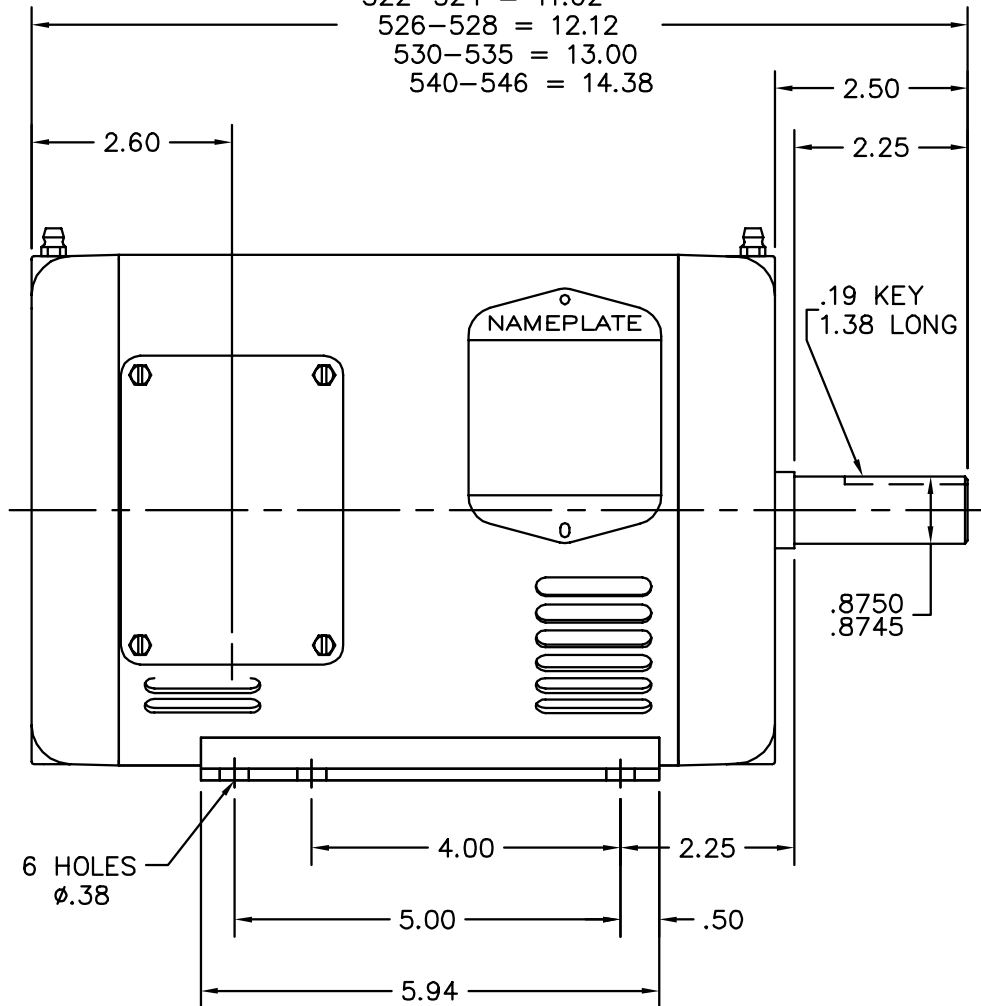


510-520 = 11.12
 522-524 = 11.62
 526-528 = 12.12
 530-535 = 13.00
 540-546 = 14.38



CUSTOMER IS RESPONSIBLE FOR DETERMINING THAT BALDOR'S PRODUCT WILL PERFORM SUITABLY IN THE INTENDED APPLICATION.

REV. DESC: NEW		
REV. LTR: -	VERSION: 00	TDR: 00000538024
FILE: \AAA\00172\343	REVISED: 12:01:43 06/03/2010	
MTL: -	BY: ENGAMGO	

BALDOR

HORZ 35M OPSB 143-5T W/1.09 LEAD HOLE & 2 POLE "W" BASE

SH 1 of 1