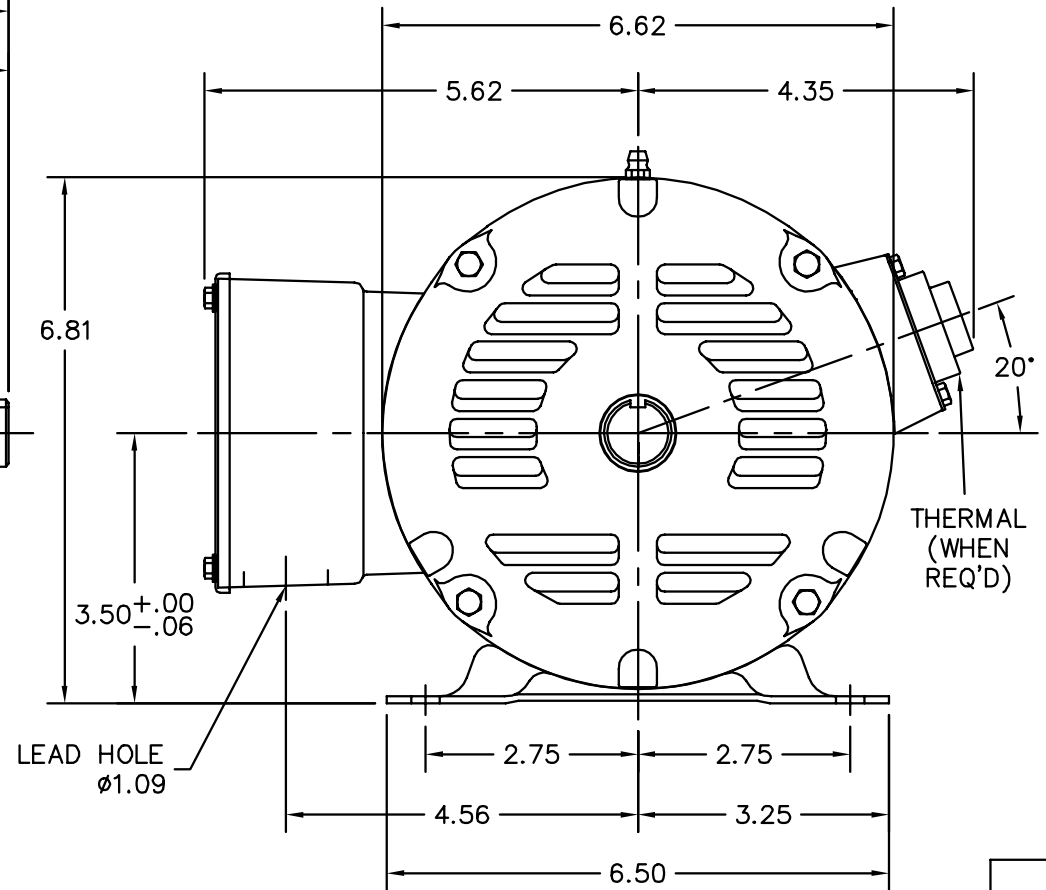
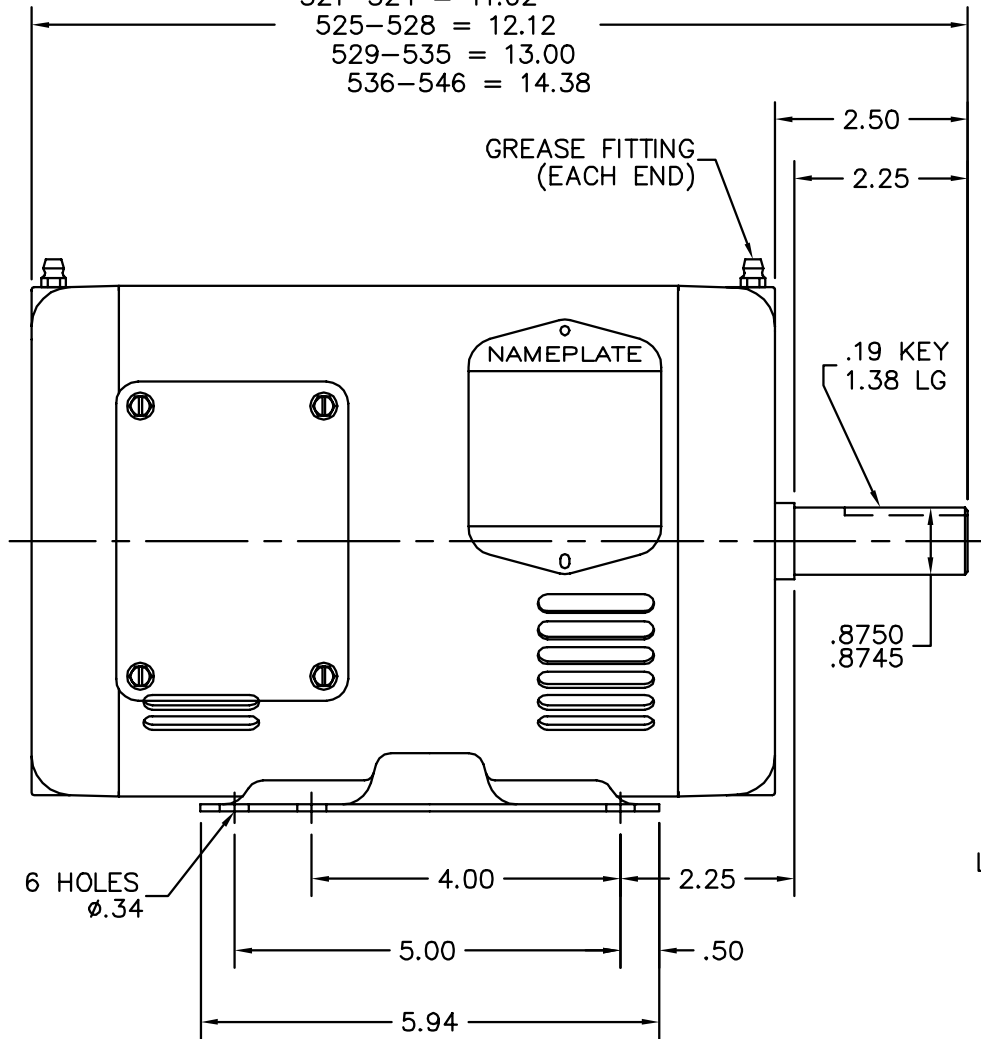


510-520 = 11.12
 521-524 = 11.62
 525-528 = 12.12
 529-535 = 13.00
 536-546 = 14.38



CUSTOMER IS RESPONSIBLE FOR DETERMINING THAT BALDOR'S PRODUCT WILL PERFORM SUITABLY IN THE INTENDED APPLICATION.

REV. DESC: NEW		
REV. LTR: -	VERSION: 00	TDR: 000000539683
FILE: \AAA\00176\446	REVISED: 09:02:52 10/25/2010	
MTL: -	BY: ENGAMGO	

BALDOR

STD HORZ 143-5T OPSB 35M W/1.09 LEAD HOLE

SH 1 of 1