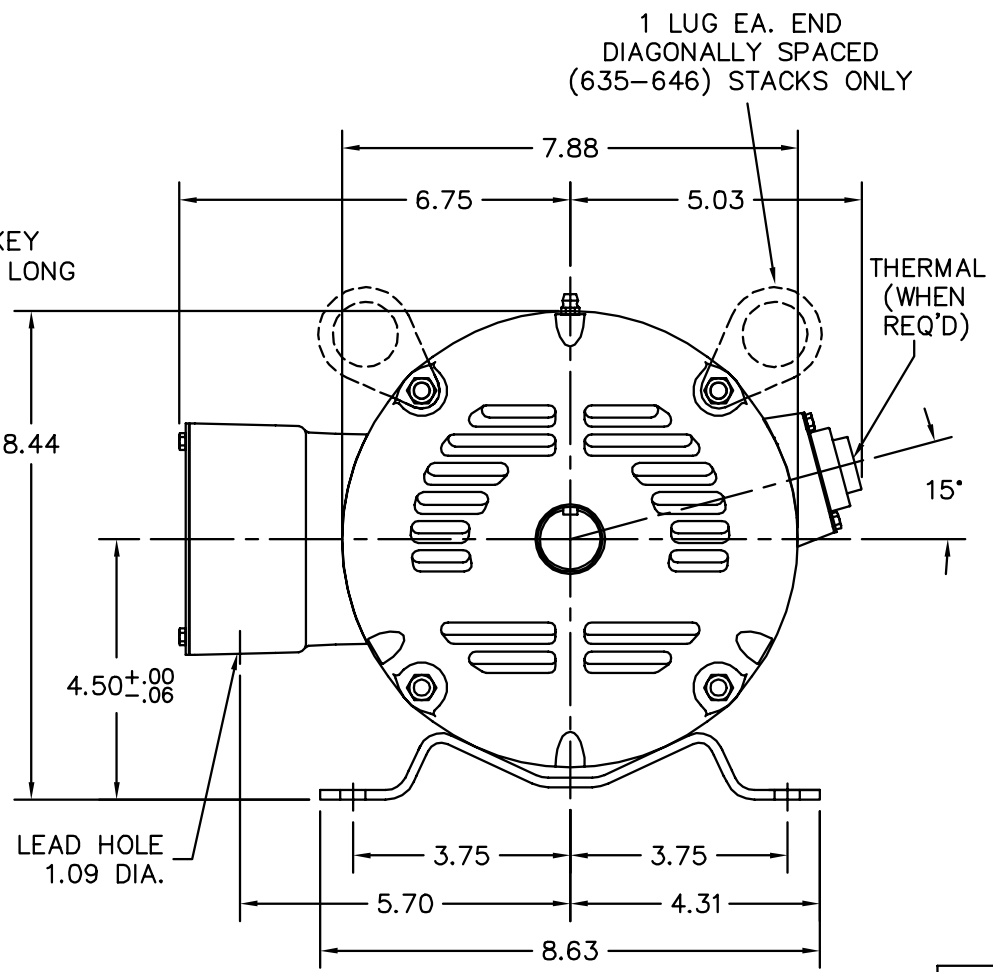


.25 KEY  
1.75 LONG



CUSTOMER IS RESPONSIBLE FOR DETERMINING THAT BALDOR'S PRODUCT WILL PERFORM SUITABLY IN THE INTENDED APPLICATION.

REV. DESC: REMOVED SUPER-E LABEL GRAPHICS		
REV. LTR: D	VERSION: 01	TDR: 000000703721
FILE: \AAA\00017\098		REVISED: 03:20:10 07/15/2011
MTL: -		BY: ENBRAMO

**BALDOR**

STD HORZ 182-4T OPSB 36M SUPER-E

SH 1 of 1

36LYG548