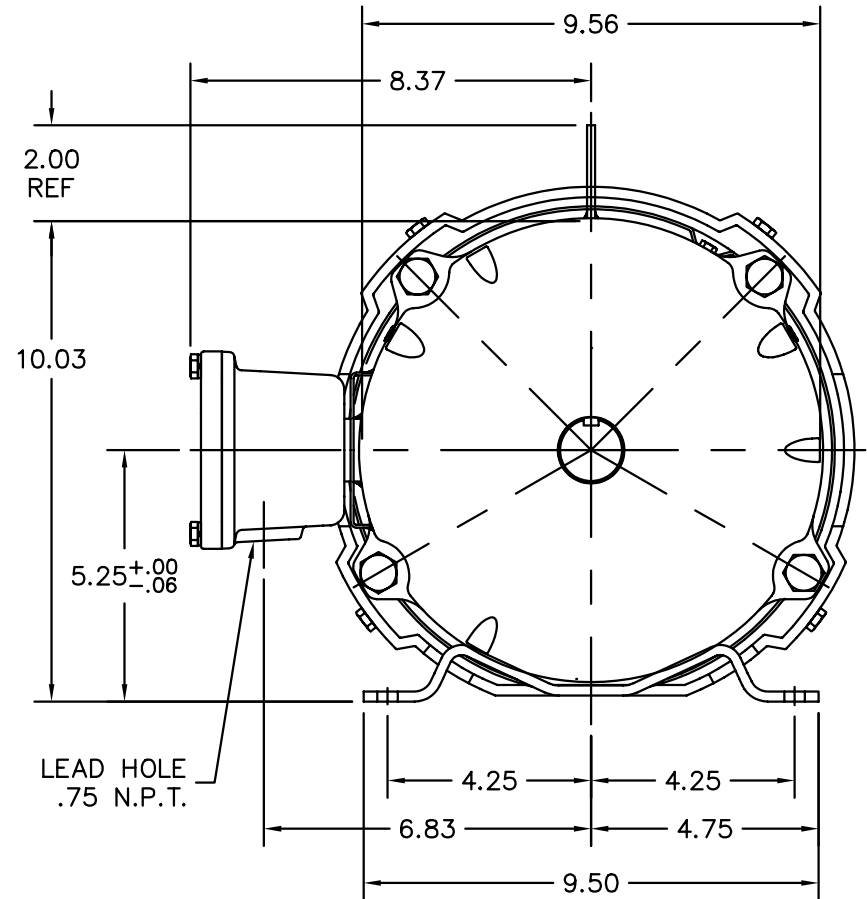
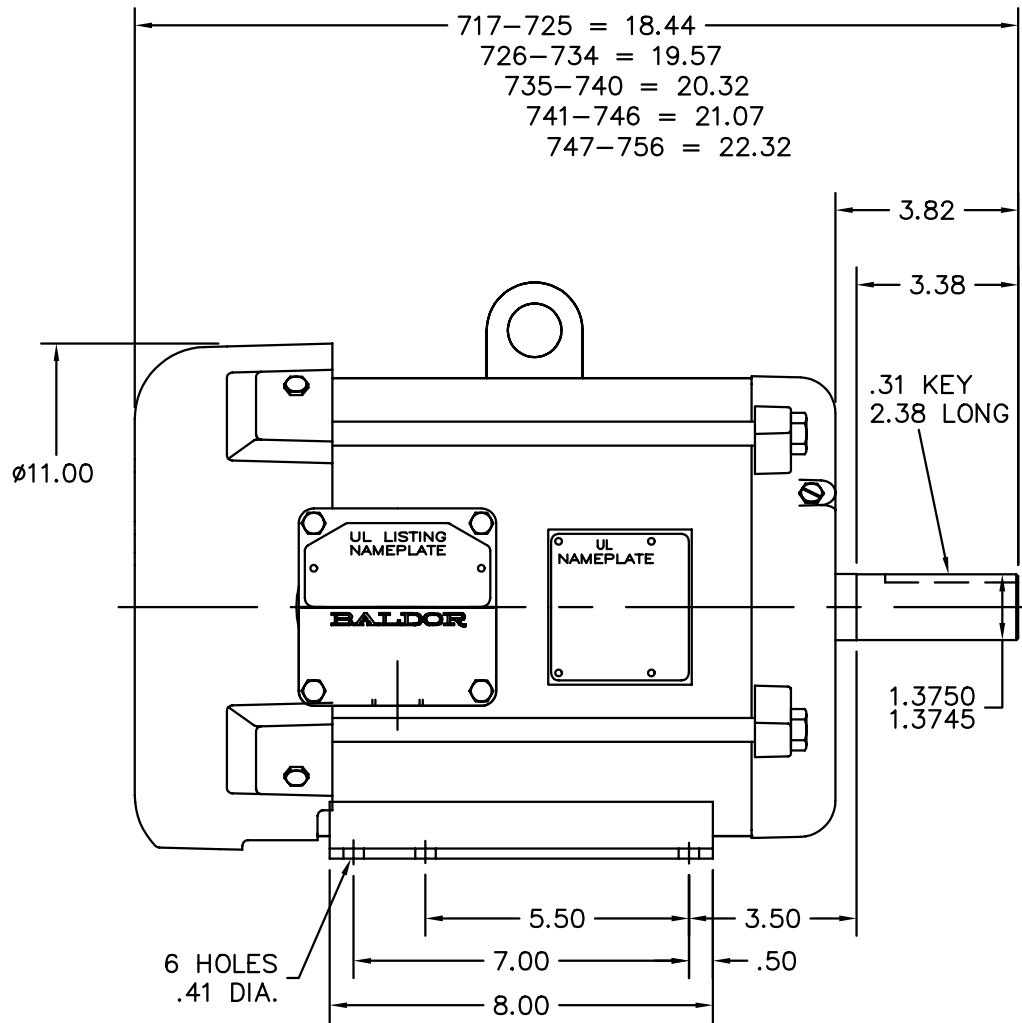


37LYH239



CUST. NAME		CUST. P.O.		CERTIFIED BY		MODEL		INSUL		AMB	
H.P.		MTG		TYPE		R.P.M.		VOLTS		ENCL	
PHASE		FREQ		FRAME							
REV. LTR: -				BY: SLK		REVISED: 09/13/99 11:47		TDR: 0189039			
6ΣZHΛ7Σ				FILE: AAA00068145		MDL: -		<p>BALDOR ELECTRIC Co.</p> <p>HOR 213-5T XPFC M EPACT STACKS, DUAL CLASS</p>			
				MTL: -							

37LYH239