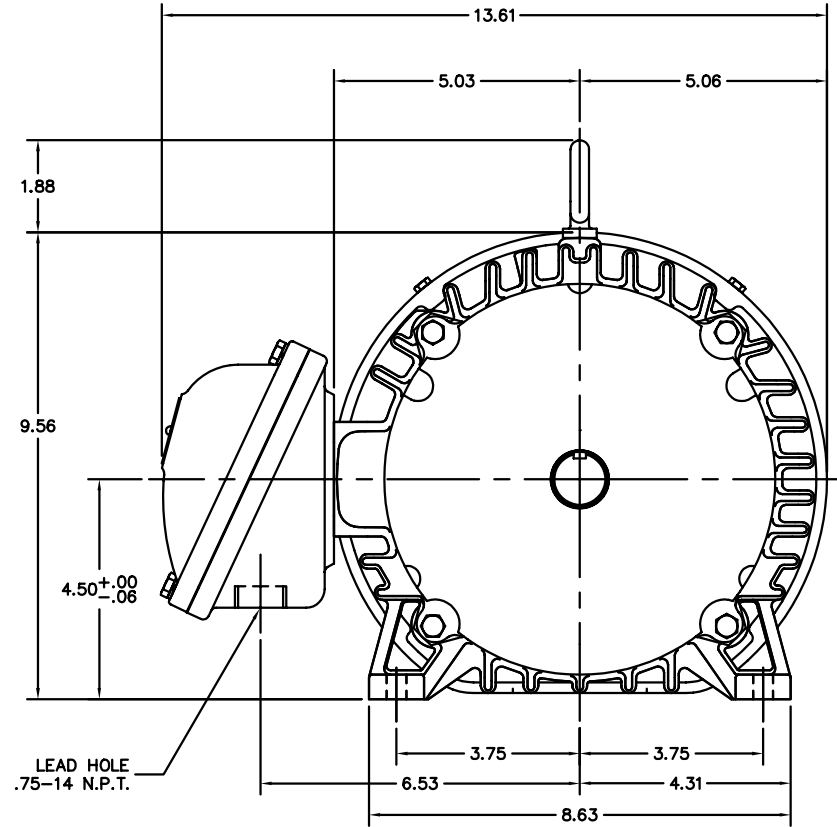
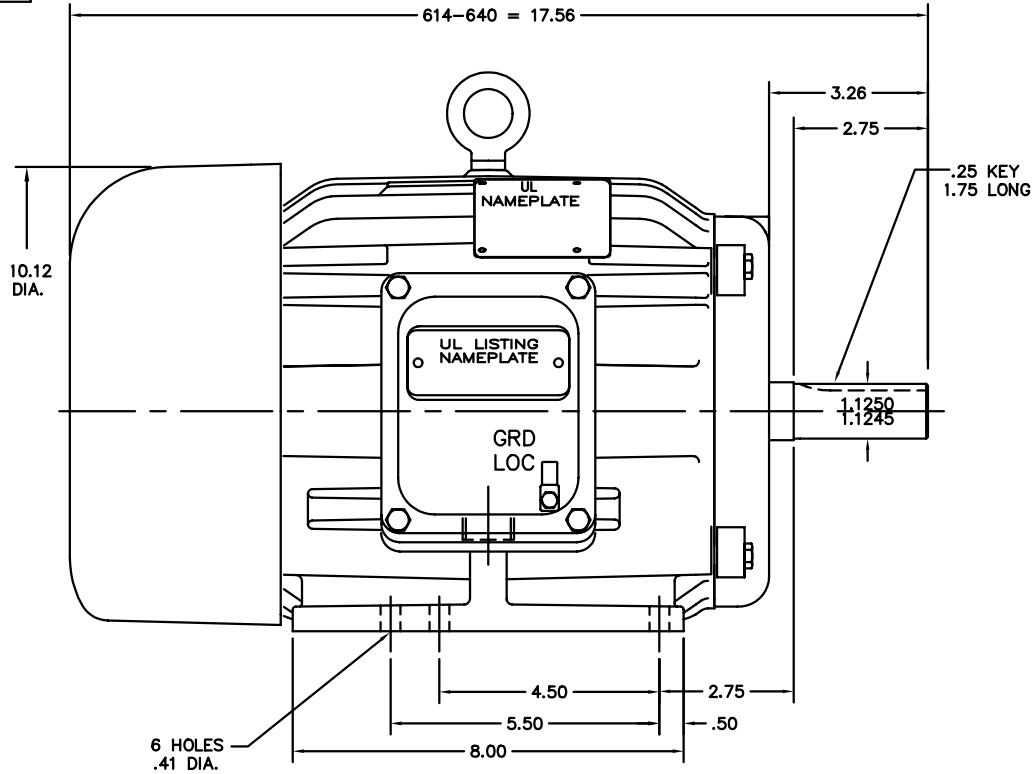


06LYJ016



CUST. NAME		CUST. P.O.		CERTIFIED BY		MODEL		INSUL		AMB	
H.P.	MTG	TYPE	R.P.M.	VOLTS		ENCL	PHASE	FREQ	FRAME		
REV. DESC: EXFN WAS 36FN3002											
REV. LTR: A	BY: BGM	REVISED: 10/14/98 1:12			TDR: 0161886		BALDOR ELECTRIC Co.				
FILE: AAA00047190				MDL: -							
HORZ 182-4T XPFC X306M CL I-GP C&D-CL II-GP F&G											
MTL: -											

06LYJ016