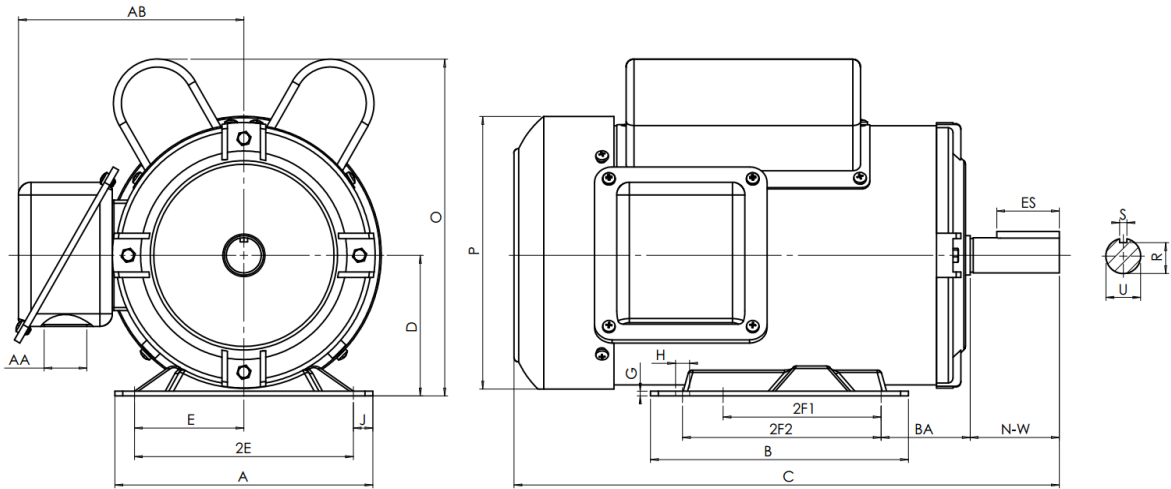


**F145T2S4C-MO**

FARM DUTY ELECTRIC MOTOR  
 HIGH STARTING TORQUE - MANUAL OVERLOAD  
 SINGLE PHASE - CAPACITOR START / CAPACITOR RUN  
 ROLLED STEEL CONSTRUCTION  
 TOTALLY ENCLOSED FAN COOLED



**DIMENSIONS**

HP	RPM	Frame	MOUNTING														
			A	B	C	D	G	H	J	E	2E	2F1	2F2	O	P	T	BA
2	1800	145T	6.54	6.5	13.75	3.5	0.12	0.34	0.5	2.75	5.5	4	5	8.46	6.8	NA	2.25

Shaft Extension, Key Set						Conduit Box		Bearings		Mount
U	V	R	S	ES	N-W	AA	AB	DE	ODE	
0.875	NA	0.771	0.188	1.41	2.25	1.1	5.75	6205-2RZC3	6203-2RZC3	F1

**BEARING LUBRICATION:** The bearings come lubricated with Mobil Polyrex EM Polyurea Grease.






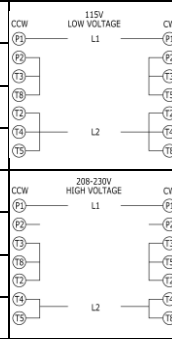



## F145T2S4C-MO

**FARM DUTY ELECTRIC MOTOR**  
**HIGH STARTING TORQUE - MANUAL OVERLOAD**  
**SINGLE PHASE - CAPACITOR START / CAPACITOR RUN**  
**ROLLED STEEL CONSTRUCTION**

### PERFORMANCE DATA

HP	RPM	Frame	Voltage	Frequency (Hz)	Full Load S.F.	Insulation Class	NEMA Design	Slip (%)	NEMA Code	Enclosure Type	IP Rating	Max. Ambient
2	1750	145T	115/208-230V	60	1.15	F	L	277.8	H	TEFC	55	40°C

Amps (230V)		Efficiency (%)			Power Factor			Torque (ft-lb)			DE Bearing	ODE Bearing	Connection	Weight (lbs.)
FLA	LRA	100%	75%	50%	100%	75%	50%	FLT	LRT %	BDT %				
8.08	53.9	83.6	81.6	76.3	0.96	0.96	0.93	6.04	266	229	6205-2RZC3	6203-2RZC3	5 Lead/P1,P2	53

NAME PLATE												
 <b>1 PHASE AC INDUCTION MOTOR</b>												
CAT NO.	F145T2S4C-MO				FRAME	145T	PH	1				
HZ	60	SF	1.15	ENCL	TEFC	IP	55					
HP	2	RPM	1750	DUTY	CONT	DES	L					
VOLTS	115/208-230V			AMB	40 °C	INS	F					
FLA	16.17/8.94-8.08			DE.BRG	6205-2RZC3							
CODE	H	P.F	0.96	ODE.BRG	6203-2RZC3							
EFF	83.6				LBS	53						
CONNECTION	5 Lead/P1,P2			SER NO								
Hernando, MS www.naemotors.com												

#### APPLICATIONS:

General purpose use on pumps, fans, conveyors, poultry equipment, air compressors and other farm duty machinery requiring high starting torques.