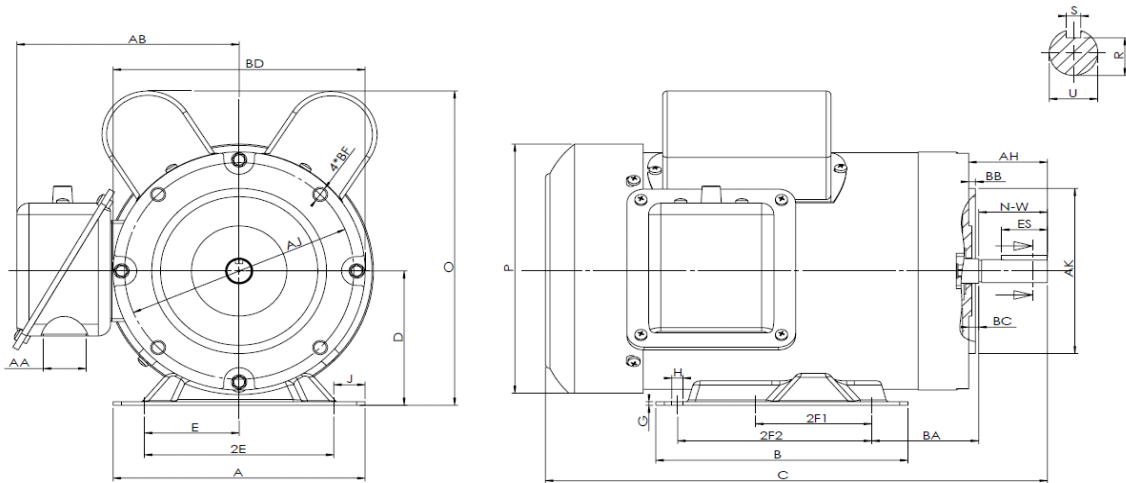


F56C1/2S4C-MO

FARM DUTY ELECTRIC MOTOR
 HIGH STARTING TORQUE - MANUAL OVERLOAD
 SINGLE PHASE - CAPACITOR START / CAPACITOR RUN
 ROLLED STEEL CONSTRUCTION
 TOTALLY ENCLOSED FAN COOLED



DIMENSIONS

HP	RPM	Frame	MOUNTING														
			A	B	C	D	G	H	J	E	2E	2F1	2F2	O	P	T	BA
1/2	1800	56C	6.3	4	10.7	3.5	0.12	0.34	0.71	2.44	4.88	3	NA	7.99	6.82	NA	2.75

FLANGE							Shaft Extension, Key Set					
AH	AJ	AK	BB	BC	BD	BF	U	V	R	S	ES	N-W
2.06	5.875	4.5	0.16	0.19	6.46	4*3/8-16	0.625	NA	0.517	0.188	1.41	1.88

Conduit Box		Bearings		Mount
AA	AB	DE	ODE	
1.1	5.75	6203-2RZC3	6203-2RZC3	F1

BEARING LUBRICATION: The bearings come lubricated with Mobil Polyrex EM Polyurea Grease.





F56C1/2S4C-MO

FARM DUTY ELECTRIC MOTOR
HIGH STARTING TORQUE - MANUAL OVERLOAD
SINGLE PHASE - CAPACITOR START / CAPACITOR RUN
ROLLED STEEL CONSTRUCTION
TOTALLY ENCLOSED FAN COOLED

PERFORMANCE DATA

HP	RPM	Frame	Voltage	Frequency (Hz)	Full Load S.F.	Insulation Class	NEMA Design	Slip (%)	NEMA Code	Enclosure Type	IP Rating	Max. Ambient
1/2	1765	56C	115/208-230V	60	1.15	F	L	1.9	M	TEFC	IP55	40°C

Amps (230V)		Efficiency (%)			Power Factor			Torque (ft-lb)			DE Bearing	ODE Bearing	Connection	Weight (lbs.)
FLA	LRA	100%	75%	50%	100%	75%	50%	FLT	LRT %	BDT %				
2.85	21.1	71.1	65.8	56.3	0.8	0.73	0.63	1.5	320	335	6203-2RZC3	6203-2RZC3	5 Lead/P1,P2	28

NAME PLATE

NAME PLATE					
			FARM DUTY HIGH STARTING TORQUE MANUAL OVERLOAD		
SINGLE PHASE ELECTRIC MOTOR					
MODEL	F56C1/2S4C-MO		HP	1/2	
FRAME	56C	ENCL	TEFC	PH	1
RPM	1765	CODE	M	HZ	60
DESIGN	L	CLASS	F	S.F.	1.15
DE BRG	6203-2RZC3		ODE BRG	6203-2RZC3	
VOLT	115/208-230V		LBS	28	
AMPS	5.7/3.15-2.85		DUTY	CONT	
S.F. AMPS	3.11		MAX AMB	40°C	
SERIAL NUMBER					
115V LOW VOLTAGE CCW CW (P1) L1 (P1) (P2) (P2) (T3) (T3) (T8) (T8) (T2) (T2) (T4) L2 (T4) (T5) (T5)			208-230V HIGH VOLTAGE CCW CW (P1) L1 (P1) (P2) (P2) (T3) (T3) (T8) (T8) (T2) (T2) (T4) L2 (T4) (T5) (T5)		
Hernando, MS www.naemotors.com					

APPLICATIONS:

General purpose use on pumps, fans, conveyors, poultry equipment, air compressors and other farm duty machinery requiring high starting torques.