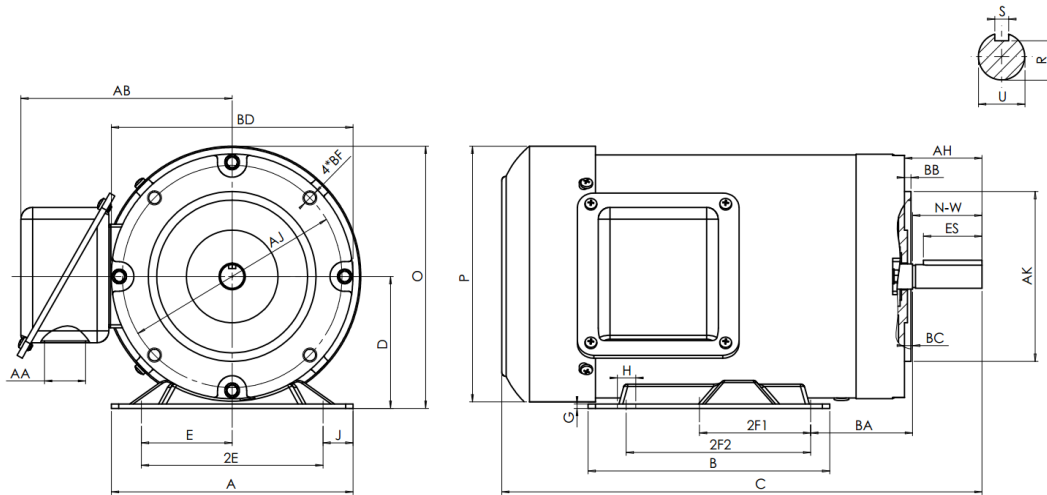


F56C1/3M4A

GENERAL PURPOSE ELECTRIC MOTOR
 HIGH EFFICIENCY / EISA COMPLIANT
 TOTALLY ENCLOSED FAN COOLED
 ROLLED STEEL CONSTRUCTION
 INVERTER RATED (10:1 VT; 5:1 CT)



DIMENSIONS

HP	RPM	Frame	MOUNTING														
			A	B	C	D	G	H	J	E	2E	2F1	2F2	O	P	T	BA
1/3	1800	56C	6.30	4.00	10.65	3.50	0.12	0.35	0.71	2.44	4.88	3.00	NA	7.00	6.82	NA	2.75

FLANGE							Shaft Extension, Key Set					
AH	AJ	AK	BB	BC	BD	BF	U	V	R	S	ES	N-W
2.06	5.875	4.50	0.16	0.19	6.46	3/8-16UNC	0.625	NA	0.517	0.188	1.41	1.88

Conduit Box		Bearings		Mount
AA	AB	DE	ODE	
1.10	5.75	6203-2RZC3	6203-2RZC3	F1

BEARING LUBRICATION: The bearings come lubricated with Mobil Polyrex EM Polyurea Grease.





F56C1/3M4A

GENERAL PURPOSE ELECTRIC MOTOR
HIGH EFFICIENCY / EISA COMPLIANT
TOTALLY ENCLOSED FAN COOLED
ROLLED STEEL CONSTRUCTION
INVERTER RATED (10:1 VT; 5:1 CT)

PERFORMANCE DATA

HP	RPM	Frame	Voltage	Frequency (Hz)	Full Load S.F.	Insulation Class	NEMA Design	Slip (%)	NEMA Code	Enclosure Type	IP Rating	Max. Ambient
1/3	1740	56C	208-230/460	60	1.15	F	B	3.333	M	TEFC	55	40°C

Amps (460V)		Efficiency (%)			Power Factor			Torque (ft-lb)			DE Bearing	ODE Bearing	Connection	Weight (lbs.)
FLA	LRA	100%	75%	50%	100%	75%	50%	FLT	LRT %	BDT %				
0.82	3.22	66.1	62.7	54.3	0.58	0.48	0.38	1.01	209	312	6203-2RZC3	6203-2RZC3	9 Lead 2Y/Y	17

NAME PLATE											
 3 PHASE AC INDUCTION MOTOR											
CAT NO.	F56C1/3M4A			FRAME	56C	PH	3		208-230V		
HZ	60	SF	1.15	ENCL	TEFC	IP	55		T4	T5	T6
HP	1/3	RPM	1740	DUTY	CONT	DES	B		T7	T8	T9
VOLTS	208-230/460			AMB	40 °C	INS	F		T1	T2	T3
FLA	1.52-1.61/0.8			DE.BRG	6203-2RZC3			460V			
CODE	M	P.F	0.58	ODE.BRG	6203-2RZC3			T4	T5	T6	
EFF	66.1	MIN	56.8	LBS	17			T7	T8	T9	
CONNECTION	9 Lead 2Y/Y			SER NO				T1	T2	T3	
									L1	L2	L3
Hernando, MS www.naemotors.com											

APPLICATIONS:

General purpose use on pumps, fans, blowers, compressors, conveyors, material handling and other industrial machinery installed in damp, dusty or dirty environments.