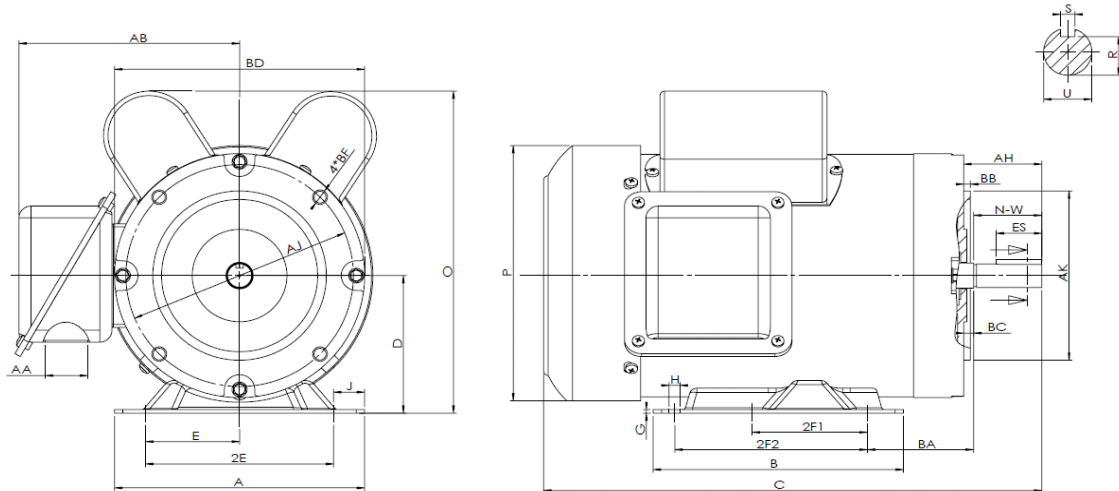


**F56C1/3S2C**

GENERAL PURPOSE ELECTRIC MOTOR  
 SINGLE PHASE - CAPACITOR START / CAPACITOR RUN  
 ROLLED STEEL CONSTRUCTION  
 TOTALLY ENCLOSED FAN COOLED



**DIMENSIONS**

HP	RPM	Frame	MOUNTING														
			A	B	C	D	G	H	J	E	2E	2F1	2F2	O	P	T	BA
1/3	3600	56C	6.3	4	10.7	3.5	0.12	0.34	0.71	2.44	4.88	3	NA	7.99	6.82	NA	2.75

FLANGE							Shaft Extension, Key Set					
AH	AJ	AK	BB	BC	BD	BF	U	V	R	S	ES	N-W
2.06	5.875	4.5	0.16	0.19	6.46	4*3/8-16	0.625	NA	0.517	0.188	1.41	1.88

Conduit Box		Bearings		Mount
AA	AB	DE	ODE	
1.1	5.75	6203-2RZC3	6203-2RZC3	F1

**BEARING LUBRICATION:** The bearings come lubricated with Mobil Polyrex EM Polyurea Grease.





## F56C1/3S2C

GENERAL PURPOSE ELECTRIC MOTOR  
 SINGLE PHASE - CAPACITOR START / CAPACITOR RUN  
 ROLLED STEEL CONSTRUCTION  
 TOTALLY ENCLOSED FAN COOLED

### PERFORMANCE DATA

HP	RPM	Frame	Voltage	Frequency (Hz)	Full Load S.F.	Insulation Class	NEMA Design	Slip (%)	NEMA Code	Enclosure Type	IP Rating	Max. Ambient
1/3	3520	56C	115/208-230V	60	1.15	F	L	2.2	L	TEFC	IP55	40°C

Amps (230V)		Efficiency (%)			Power Factor			Torque (ft-lb)			DE Bearing	ODE Bearing	Connection	Weight (lbs.)
FLA	LRA	100%	75%	50%	100%	75%	50%	FLT	LRT %	BDT %				
1.92	14.2	60.7	54.7	45	0.92	0.9	0.85	0.5	350	416	6203-2RZC3	6203-2RZC3	6 Lead	20

### NAME PLATE

		<b>GENERAL PURPOSE</b> <b>HIGH STARTING TORQUE</b> <b>SINGLE PHASE ELECTRIC MOTOR</b> <small>TOTALLY ENCLOSED FAN COOLED</small>	
MODEL	F56C1/3S2C	HP	1/3
FRAME	56C	ENCL	TEFC
RPM	3520	CODE	L
DESIGN	L	CLASS	F
DE BRG	6203-2RZC3	ODE BRG	6203-2RZC3
VOLT	115/208-230V	LBS	20
AMPS	3.83/2.12-1.92	DUTY	CONT
S.F. AMPS	2.09	MAX AMB	40°C
SERIAL NUMBER			
Hernando, MS <a href="http://www.naemotors.com">www.naemotors.com</a>			

### APPLICATIONS:

General purpose use on pumps, fans, conveyors, poultry equipment, air compressors and other farm duty machinery requiring high starting torques.