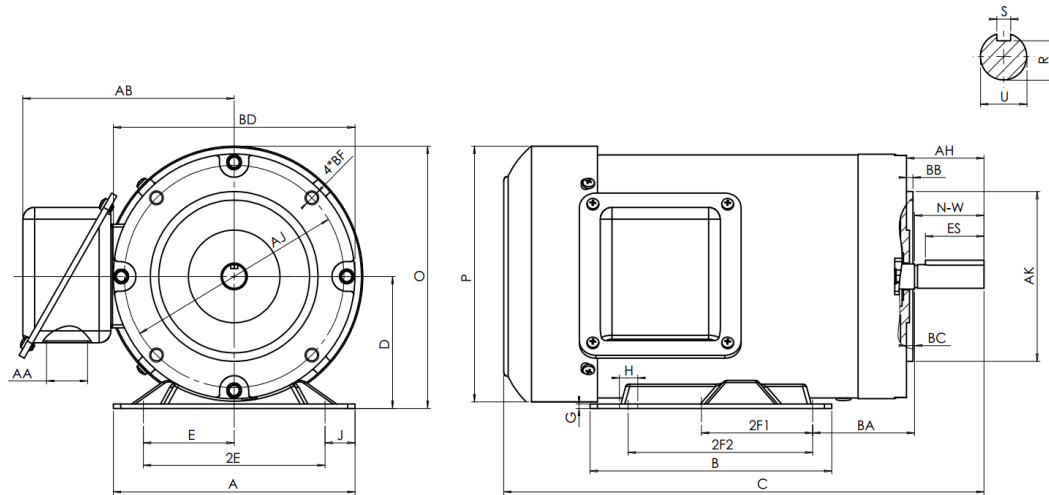


F56C3/4M4A

GENERAL PURPOSE ELECTRIC MOTOR
 HIGH EFFICIENCY / EISA COMPLIANT
 TOTALLY ENCLOSED FAN COOLED
 ROLLED STEEL CONSTRUCTION
 INVERTER RATED (10:1 VT; 5:1 CT)



DIMENSIONS

HP	RPM	Frame	MOUNTING														
			A	B	C	D	G	H	J	E	2E	2F1	2F2	O	P	T	BA
3/4	1800	56C	6.30	4.00	10.65	3.50	0.12	0.35	0.71	2.44	4.88	3.00	NA	7.00	6.82	NA	2.75

FLANGE							Shaft Extension, Key Set					
AH	AJ	AK	BB	BC	BD	BF	U	V	R	S	ES	N-W
2.06	5.875	4.50	0.16	0.19	6.46	3/8-16UNC	0.625	NA	0.517	0.188	1.41	1.88

Conduit Box		Bearings		Mount
AA	AB	DE	ODE	
1.10	5.75	6203-2RZC3	6203-2RZC3	F1

BEARING LUBRICATION: The bearings come lubricated with Mobil Polyrex EM Polyurea Grease.





F56C3/4M4A

GENERAL PURPOSE ELECTRIC MOTOR
HIGH EFFICIENCY / EISA COMPLIANT
TOTALLY ENCLOSED FAN COOLED
ROLLED STEEL CONSTRUCTION
INVERTER RATED (10:1 VT; 5:1 CT)

PERFORMANCE DATA

HP	RPM	Frame	Voltage	Frequency (Hz)	Full Load S.F.	Insulation Class	NEMA Design	Slip (%)	NEMA Code	Enclosure Type	IP Rating	Max. Ambient
3/4	1735	56C	208-230/460	60	1.15	F	B	3.611	L	TEFC	55	40°C

Amps (460V)		Efficiency (%)			Power Factor			Torque (ft-lb)			DE Bearing	ODE Bearing	Connection	Weight (lbs.)
FLA	LRA	100%	75%	50%	100%	75%	50%	FLT	LRT %	BDT %				
1.18	5.66	80.7	79.5	76	0.73	0.64	0.51	2.26	205	207	6203-2RZC3	6203-2RZC3	9 Lead 2Y/Y	23

NAME PLATE												
 3 PHASE AC INDUCTION MOTOR												
CAT NO.	F56C3/4M4A				FRAME	56C	PH	3		208-230V		
HZ	60	SF	1.15		ENCL	TEFC	IP	55				
HP	3/4	RPM	1735		DUTY	CONT	DES	B				
VOLTS	208-230/460				AMB	40 °C	INS	F				
FLA	2.43-2.34/1.17				DE.BRG	6203-2RZC3			460V			
CODE	L	P.F	0.73		ODE.BRG	6203-2RZC3						
EFF	80.7	MIN	57.4		LBS	23						
CONNECTION	9 Lead 2Y/Y				SER NO							
Hernando, MS www.naemotors.com												

APPLICATIONS:

General purpose use on pumps, fans, blowers, compressors, conveyors, material handling and other industrial machinery installed in damp, dusty or dirty environments.