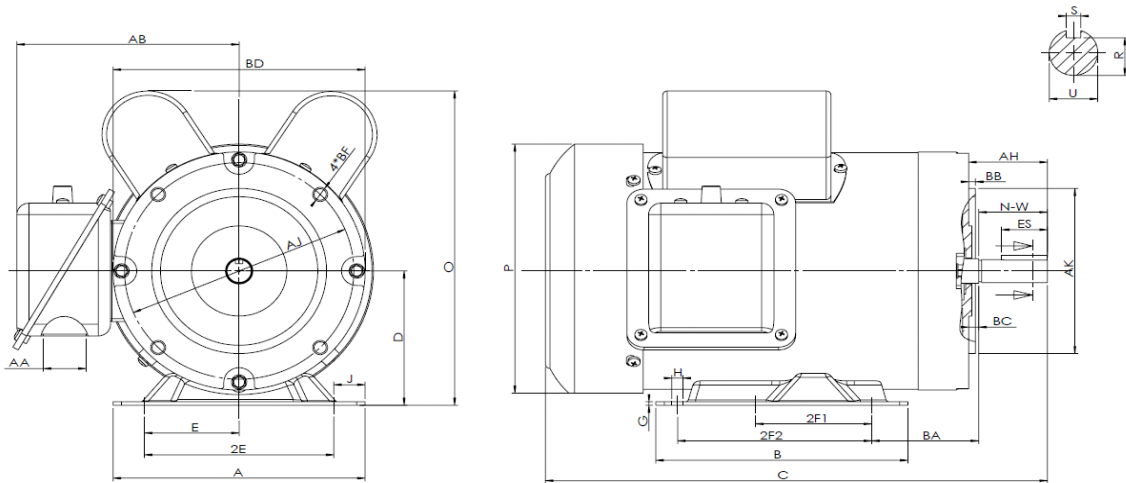


F56C3/4S4C-MO

FARM DUTY ELECTRIC MOTOR
 HIGH STARTING TORQUE - MANUAL OVERLOAD
 SINGLE PHASE - CAPACITOR START / CAPACITOR RUN
 ROLLED STEEL CONSTRUCTION
 TOTALLY ENCLOSED FAN COOLED



DIMENSIONS

HP	RPM	Frame	MOUNTING														
			A	B	C	D	G	H	J	E	2E	2F1	2F2	O	P	T	BA
3/4	1800	56C	6.3	4	11.5	3.5	0.12	0.34	0.71	2.44	4.88	3	NA	7.99	6.82	NA	2.75

FLANGE							Shaft Extension, Key Set					
AH	AJ	AK	BB	BC	BD	BF	U	V	R	S	ES	N-W
2.06	5.875	4.5	0.16	0.19	6.46	4*3/8-16	0.625	NA	0.517	0.188	1.41	1.88

Conduit Box		Bearings		Mount
AA	AB	DE	ODE	
1.1	5.75	6203-2RZC3	6203-2RZC3	F1

BEARING LUBRICATION: The bearings come lubricated with Mobil Polyrex EM Polyurea Grease.





F56C3/4S4C-MO





FARM DUTY ELECTRIC MOTOR
HIGH STARTING TORQUE - MANUAL OVERLOAD
SINGLE PHASE - CAPACITOR START / CAPACITOR RUN
ROLLED STEEL CONSTRUCTION
TOTALLY ENCLOSED FAN COOLED

PERFORMANCE DATA

HP	RPM	Frame	Voltage	Frequency (Hz)	Full Load S.F.	Insulation Class	NEMA Design	Slip (%)	NEMA Code	Enclosure Type	IP Rating	Max. Ambient
3/4	1760	56C	115/208-230V	60	1.15	F	L	2.2	L	TEFC	IP55	40°C

Amps (230V)		Efficiency (%)			Power Factor			Torque (ft-lb)			DE Bearing	ODE Bearing	Connection	Weight (lbs.)
FLA	LRA	100%	75%	50%	100%	75%	50%	FLT	LRT %	BDT %				
3.66	27.6	74.6	68.6	58.4	0.89	0.85	0.79	2.22	310	333	6203-2RZC3	6203-2RZC3	5 Lead/P1,P2	33

NAME PLATE

NAME PLATE			
 North American Electric, Inc.			
FARM DUTY			
HIGH STARTING TORQUE MANUAL OVERLOAD			
SINGLE PHASE ELECTRIC MOTOR			
MODEL	F56C3/4S4C-MO HP 3/4		
FRAME	56C ENCL TEFC PH 1		
RPM	1760 CODE L HZ 60		
DESIGN	L CLASS F S.F. 1.15		
DE BRG	6203-2RZC3 ODE BRG 6203-2RZC3		
VOLT	115/208-230V LBS 33		
AMPS	7.33/4.05-3.66 DUTY CONT		
S.F. AMPS	3.96 MAX AMB 40°C		
SERIAL NUMBER			
<table style="width: 100%; border: none;"> <tr> <td style="width: 50%; border: none;"> 115V LOW VOLTAGE CCW CW (P1) L1 (P1) (P2) (P2) (T3) (T3) (T8) (T5) (T2) (T2) (T4) L2 (T4) (T5) (T8) </td> <td style="width: 50%; border: none;"> 208-230V HIGH VOLTAGE CCW CW (P1) L1 (P1) (P2) (P2) (T3) (T3) (T8) (T5) (T2) (T2) (T4) L2 (T4) (T5) (T8) </td> </tr> </table>		115V LOW VOLTAGE CCW CW (P1) L1 (P1) (P2) (P2) (T3) (T3) (T8) (T5) (T2) (T2) (T4) L2 (T4) (T5) (T8)	208-230V HIGH VOLTAGE CCW CW (P1) L1 (P1) (P2) (P2) (T3) (T3) (T8) (T5) (T2) (T2) (T4) L2 (T4) (T5) (T8)
115V LOW VOLTAGE CCW CW (P1) L1 (P1) (P2) (P2) (T3) (T3) (T8) (T5) (T2) (T2) (T4) L2 (T4) (T5) (T8)	208-230V HIGH VOLTAGE CCW CW (P1) L1 (P1) (P2) (P2) (T3) (T3) (T8) (T5) (T2) (T2) (T4) L2 (T4) (T5) (T8)		
Hernando, MS www.naemotors.com			
  			

APPLICATIONS:

General purpose use on pumps, fans, conveyors, poultry equipment, air compressors and other farm duty machinery requiring high starting torques.