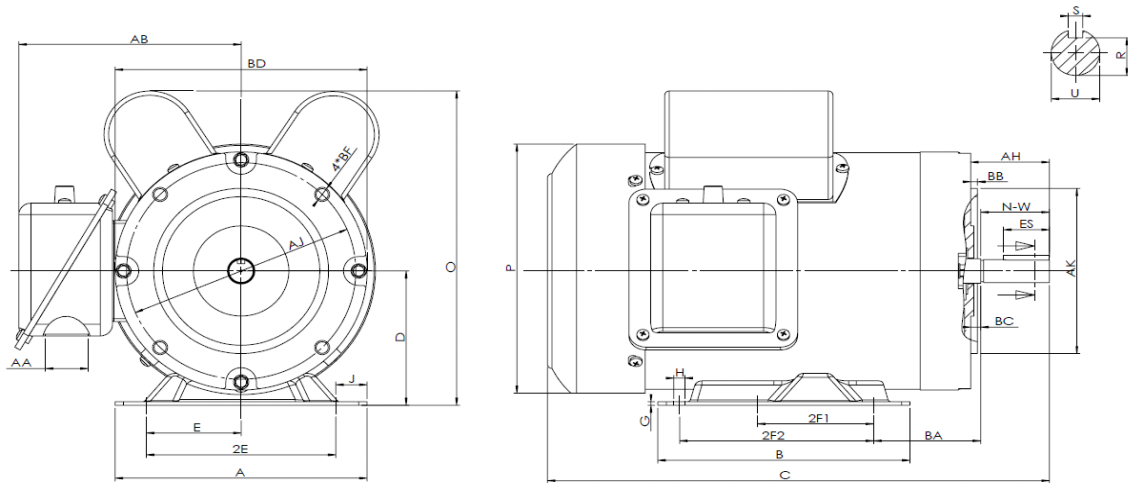


F56CH2S4C-MO

FARM DUTY ELECTRIC MOTOR
 HIGH STARTING TORQUE - MANUAL OVERLOAD
 SINGLE PHASE - CAPACITOR START / CAPACITOR RUN
 ROLLED STEEL CONSTRUCTION
 TOTALLY ENCLOSED FAN COOLED



DIMENSIONS

HP	RPM	Frame	MOUNTING														
			A	B	C	D	G	H	J	E	2E	2F1	2F2	O	P	T	BA
2	1800	56CH	6.5	6.5	13.66	3.5	0.12	0.34	0.81	2.44	4.88	3	5	7.99	6.82	NA	2.75

FLANGE							Shaft Extension, Key Set					
AH	AJ	AK	BB	BC	BD	BF	U	V	R	S	ES	N-W
2.06	5.875	4.5	0.16	0.19	6.46	4*3/8-16	0.625	NA	0.517	0.188	1.41	1.88

Conduit Box		Bearings		Mount
AA	AB	DE	ODE	
1.1	5.75	6203-2RZC3	6203-2RZC3	F1

BEARING LUBRICATION: The bearings come lubricated with Mobil Polyrex EM Polyurea Grease.





F56CH2S4C-MO

FARM DUTY ELECTRIC MOTOR
HIGH STARTING TORQUE - MANUAL OVERLOAD
SINGLE PHASE - CAPACITOR START / CAPACITOR RUN
ROLLED STEEL CONSTRUCTION
TOTALLY ENCLOSED FAN COOLED

PERFORMANCE DATA

HP	RPM	Frame	Voltage	Frequency (Hz)	Full Load S.F.	Insulation Class	NEMA Design	Slip (%)	NEMA Code	Enclosure Type	IP Rating	Max. Ambient
2	1750	56CH	115/208-230V	60	1.15	F	L	277.8	H	TEFC	55	40°C

Amps (230V)		Efficiency (%)			Power Factor			Torque (ft-lb)			DE Bearing	ODE Bearing	Connection	Weight (lbs.)
FLA	LRA	100%	75%	50%	100%	75%	50%	FLT	LRT %	BDT %				
8.08	53.9	83.6	81.6	76.3	0.96	0.96	0.93	6.04	266	229	6203-2RZC3	6203-2RZC3	5 Lead/P1,P2	52

NAME PLATE

NAME PLATE			
		FARM DUTY HIGH STARTING TORQUE MANUAL OVERLOAD	
SINGLE PHASE ELECTRIC MOTOR		MANUAL OVERLOAD	
MODEL	F56CH2S4C-MO	HP	2
FRAME	56CH	ENCL	TEFC
RPM	1750	CODE	H
DESIGN	L	CLASS	F
EFFICIENCY	83.6	P.F.	0.96
		IP RATING	55
DE BRG	6203-2RZC3	ODE BRG	6203-2RZC3
VOLT	115/208-230V	LBS	52
AMPS	16.17/8.94-8.08	DUTY	CONT
S.F. AMPS	18.5/10.46-9.38	MAX AMB	40°C
CONNECTION	5 Lead/P1,P2	SER #	
Hernando, MS www.naemotors.com			

APPLICATIONS:

General purpose use on pumps, fans, conveyors, poultry equipment, air compressors and other farm duty machinery requiring high starting torques.