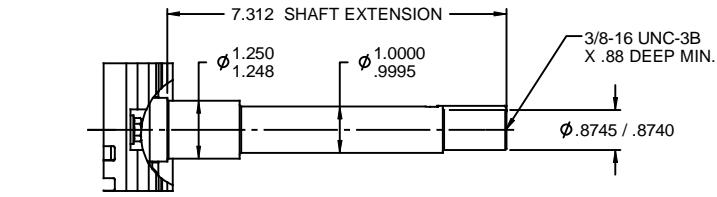
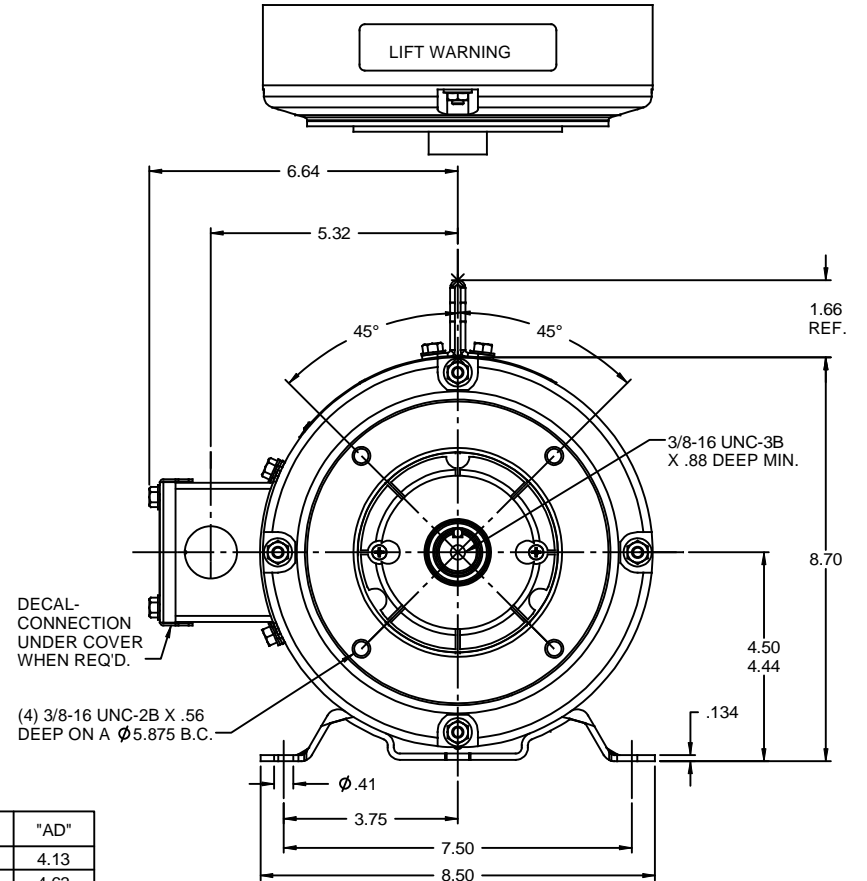
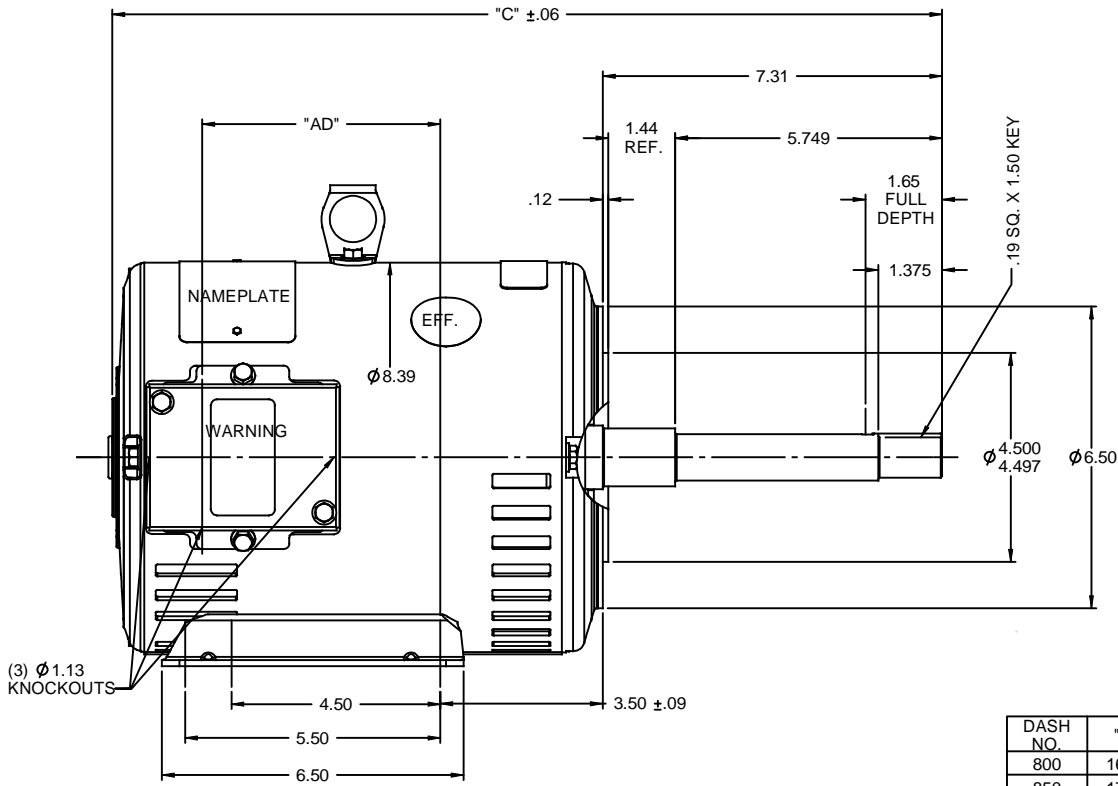


RBC PROPRIETARY AND CONFIDENTIAL INFORMATION
 This document is the property of REGAL BELOIT CORPORATION ("RBC") including its subsidiaries and divisions and contains proprietary information of RBC. This document is loaned on the express condition that neither it nor the information contained therein shall be disclosed to others without the express written consent of RBC, and that the information shall be used by the recipient only as approved expressly by RBC. This document shall be returned to RBC upon its request. This document may be subject to certain restrictions under U.S. export control laws and regulations.



DASH NO.	"C"	"AD"
800	16.88	4.13
850	17.38	4.63
900	17.88	5.13
950	18.38	5.63
1000	18.88	6.13
1050	19.38	6.63
1100	19.88	7.13
1150	20.38	7.63
1200	20.88	8.13

GASKETS THROUGHOUT
 MAXIMUM FACE RUNOUT TO BE .004 T.I.R.
 MAXIMUM PILOT ECCENTRICITY TO BE .004 T.I.R.
 PERMISSIBLE SHAFT RUNOUT TO BE .008 T.I.R.

TOLERANCES UNLESS SPECIFIED			REGAL-BELOIT CORPORATION	DRAWN LST 1/8/10
DEC	INCHES			CHK
x	±.1			APPR
.xx	±.03	TITLE	OUTLINE - 184JP FRAME	SCALE 3:8
.xxx	±.005	REF	DRIP PROOF - JP PUMP SHAFT	REF
.xxxx	±.0005	MATL		FMF
NO	REVISION	BY & DATE	CHK ANG ±1/2°	PAGE OF
			RFP	FINISH
			PREV	SIZE DRAWING NO
			NETWORK FILE NAME	B 035752
				REV