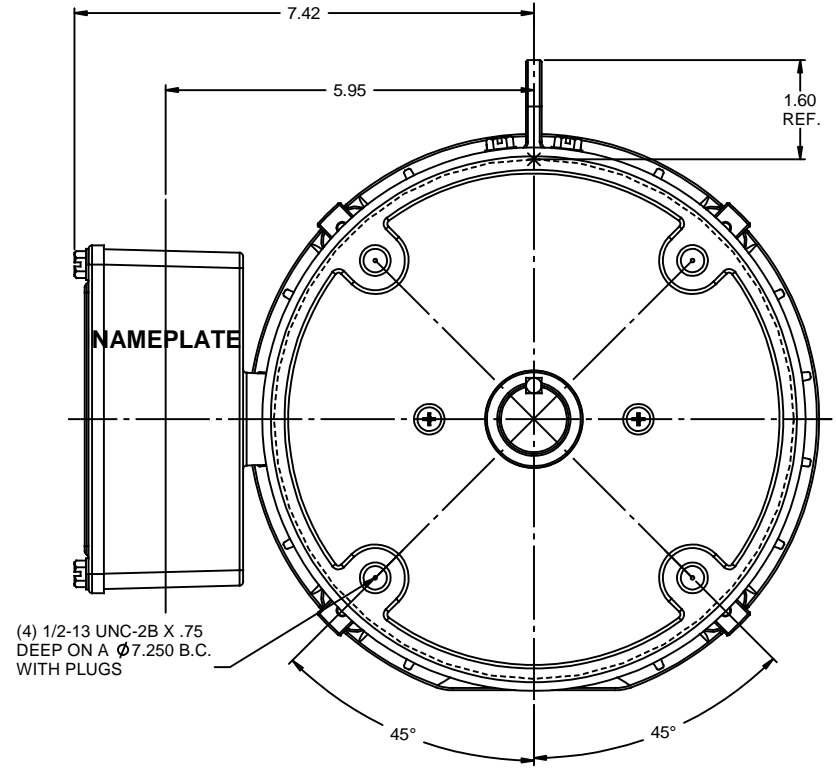
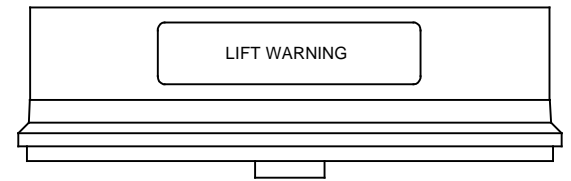
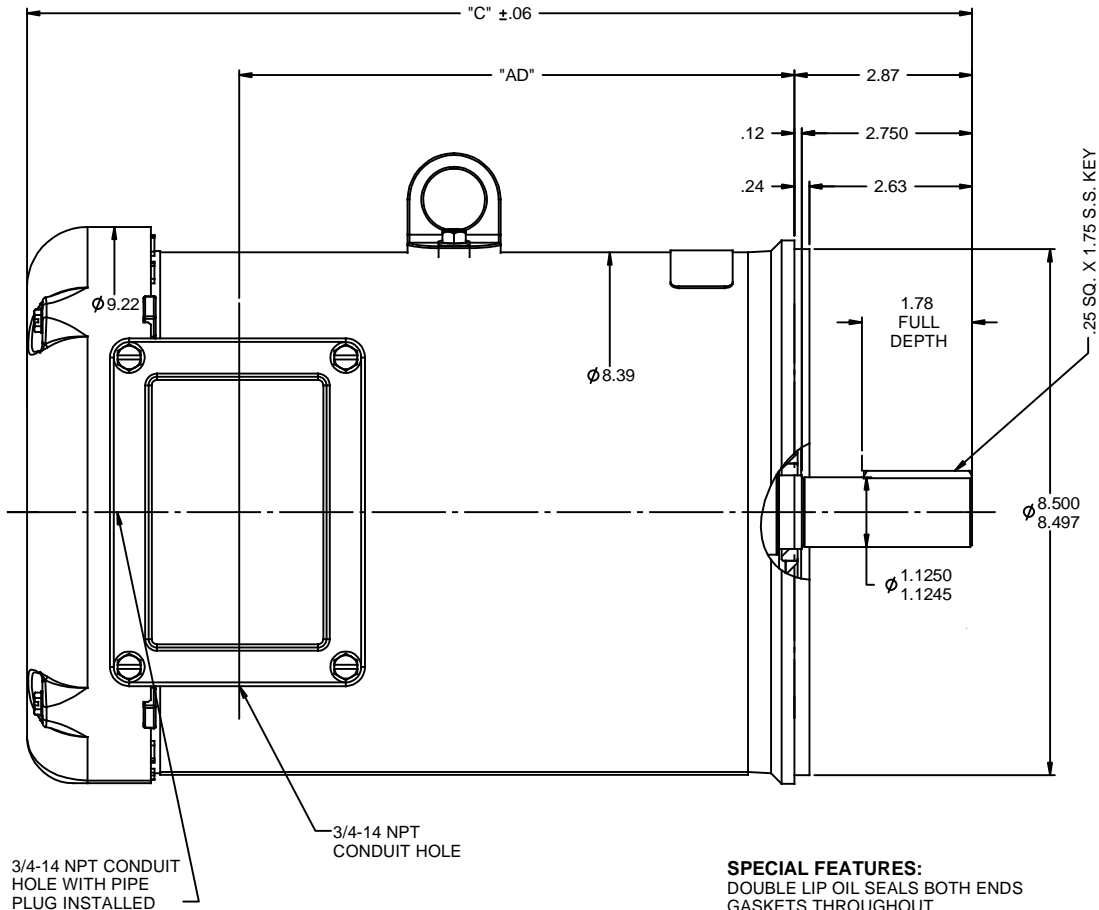


RBC PROPRIETARY AND CONFIDENTIAL INFORMATION
 This document is the property of REGAL BELOIT CORPORATION ("RBC") including its subsidiaries and divisions and contains proprietary information of RBC. This document is loaned on the express condition that neither it nor the information contained therein shall be disclosed to others without the express written consent of RBC, and that the information shall be used by the recipient only as approved expressly by RBC. This document shall be returned to RBC upon its request. This document may be subject to certain restrictions under U.S. export control laws and regulations.



SPECIAL FEATURES:
 DOUBLE LIP OIL SEALS BOTH ENDS
 GASKETS THROUGHOUT
 O-RING SEALED ENDBELLS & THRU BOLTS
 LOCKED BEARING W/SEALED LOCK SCREWS

DASH NO.	"C"	"AD"
900	14.77	8.49
950	15.27	8.99

MAXIMUM FACE RUNOUT TO BE .004 T.I.R.
 MAXIMUM PILOT ECCENTRICITY TO BE .004 T.I.R.
 PERMISSIBLE SHAFT RUNOUT TO BE .002 T.I.R.

TOLERANCES UNLESS SPECIFIED		REGAL BELOIT CORPORATION		DRAWN
DEC	INCHES			RDW 4/09/02
X	±.1			CHK
.XX	±.03	TITLE		APPR KH 4/9/02
.XXX	±.005	OUTLINE - 180TC FRAME		SCALE 1:2
.XXX	±.005	TEFC - "C" FACE		REF 035437
.XXX	±.0005	MATL STAINLESS STEEL DUCK		FMF 131924
NO	REVISION	BY & DATE	CHK ANG ±1/2°	PAGE OF
			RFP	REV
	THIRD ANGLE PROJECTION		FINISH	
			PREV	
		NETWORK FILE NAME	SIZE	DRAWING NO
			B	035438