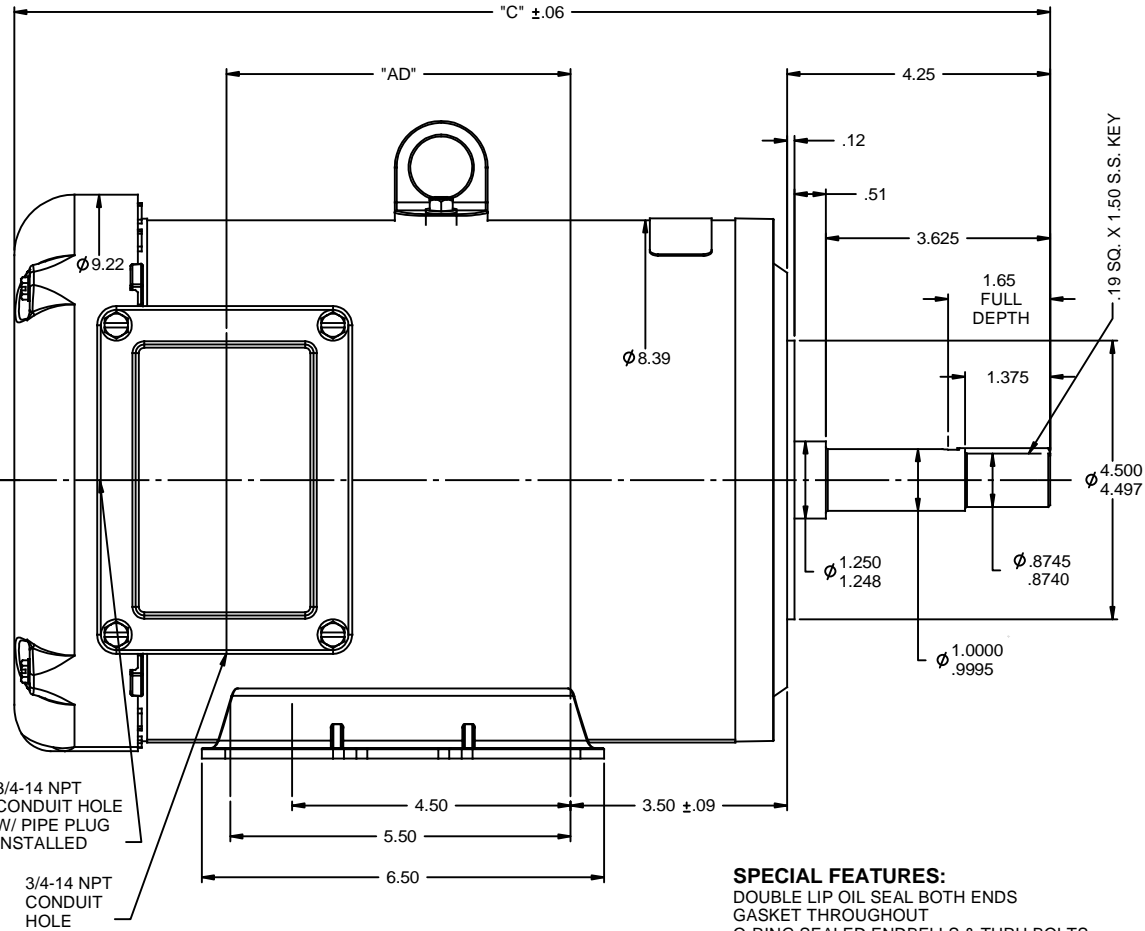


RBC PROPRIETARY AND CONFIDENTIAL INFORMATION
 This document is the property of REGAL BELOIT CORPORATION ("RBC") including its subsidiaries and divisions and contains proprietary information of RBC. This document is loaned on the express condition that neither it nor the information contained therein shall be disclosed to others without the express written consent of RBC, and that the information shall be used by the recipient only as approved expressly by RBC. This document shall be returned to RBC upon its request. This document may be subject to certain restrictions under U.S. export control laws and regulations.

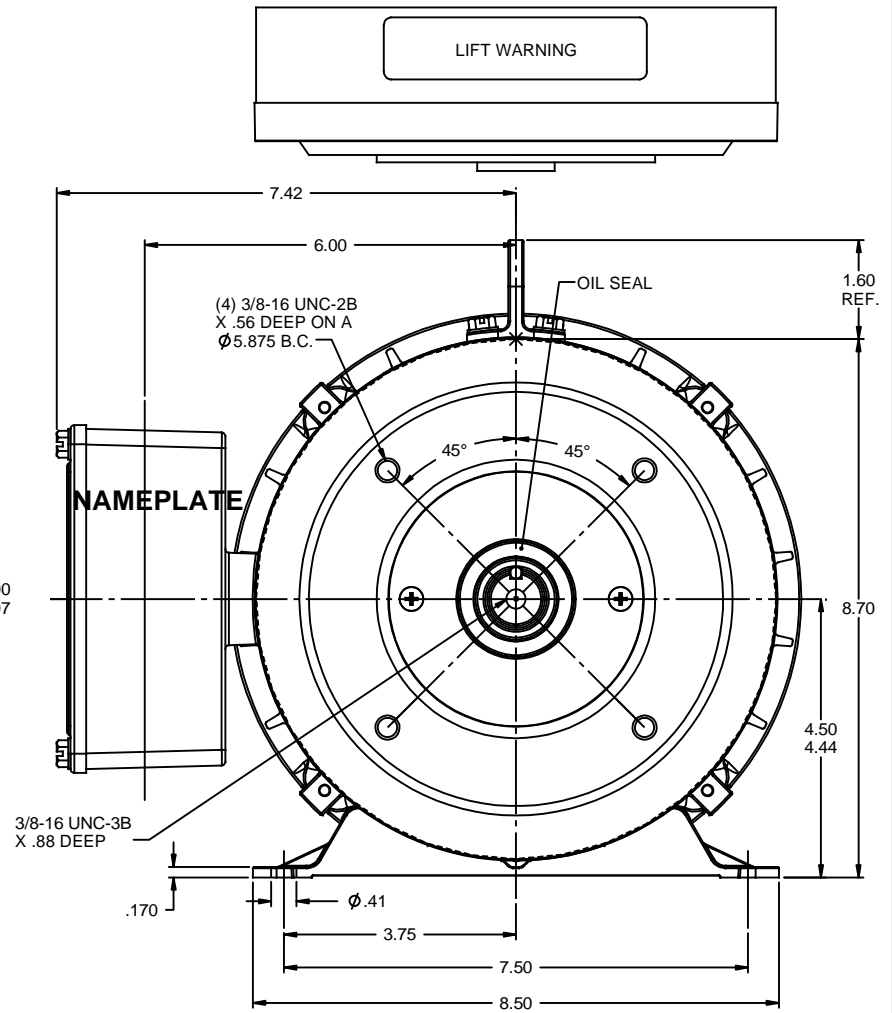


3/4-14 NPT CONDUIT HOLE W/ PIPE PLUG INSTALLED
 3/4-14 NPT CONDUIT HOLE

DASH NO.	"C"	"AD"
900	16.20	5.06
950	16.77	5.56

MAXIMUM FACE RUNOUT TO BE .004 T.I.R.
 MAXIMUM PILOT ECCENTRICITY TO BE .004 T.I.R.
 PERMISSIBLE SHAFT RUNOUT TO BE .002 T.I.R.

SPECIAL FEATURES:
 DOUBLE LIP OIL SEAL BOTH ENDS
 GASKET THROUGHOUT
 O-RING SEALED ENDBELLS & THRU BOLTS
 LOCKED BEARING W/ SEALED LOCK SCREWS



TOLERANCES UNLESS SPECIFIED		DRAWN LST 3/19/04	
DEC	INCHES	CHK	RW 3/22/04
X	±.1	APPR	KH 3/22/04
XX	±.03	SCALE	1:2
XXX	±.005	REF	
XXXX	±.0005	FMF	
NO	REVISION	BY & DATE	PAGE OF
	UPDATED & REDRAWN ON SOLIDWORKS	LST 12/15/2009 XX	
	THIRD ANGLE PROJECTION	CHK ANG ±1/2°	FINISH
		RFP	PREV
		NETWORK FILE NAME	SIZE DRAWING NO
			B 035484
			REV
			-



TITLE OUTLINE - 180JM FRAME
 TEFC - RIGID "C"

MATL STAINLESS STEEL DUCK