

BALDOR® • ***RELIANCE***

Product Information Packet

GC25014

.09/.12HP, 1400RPM, 1PH, 50/60HZ, K-1, 2524S

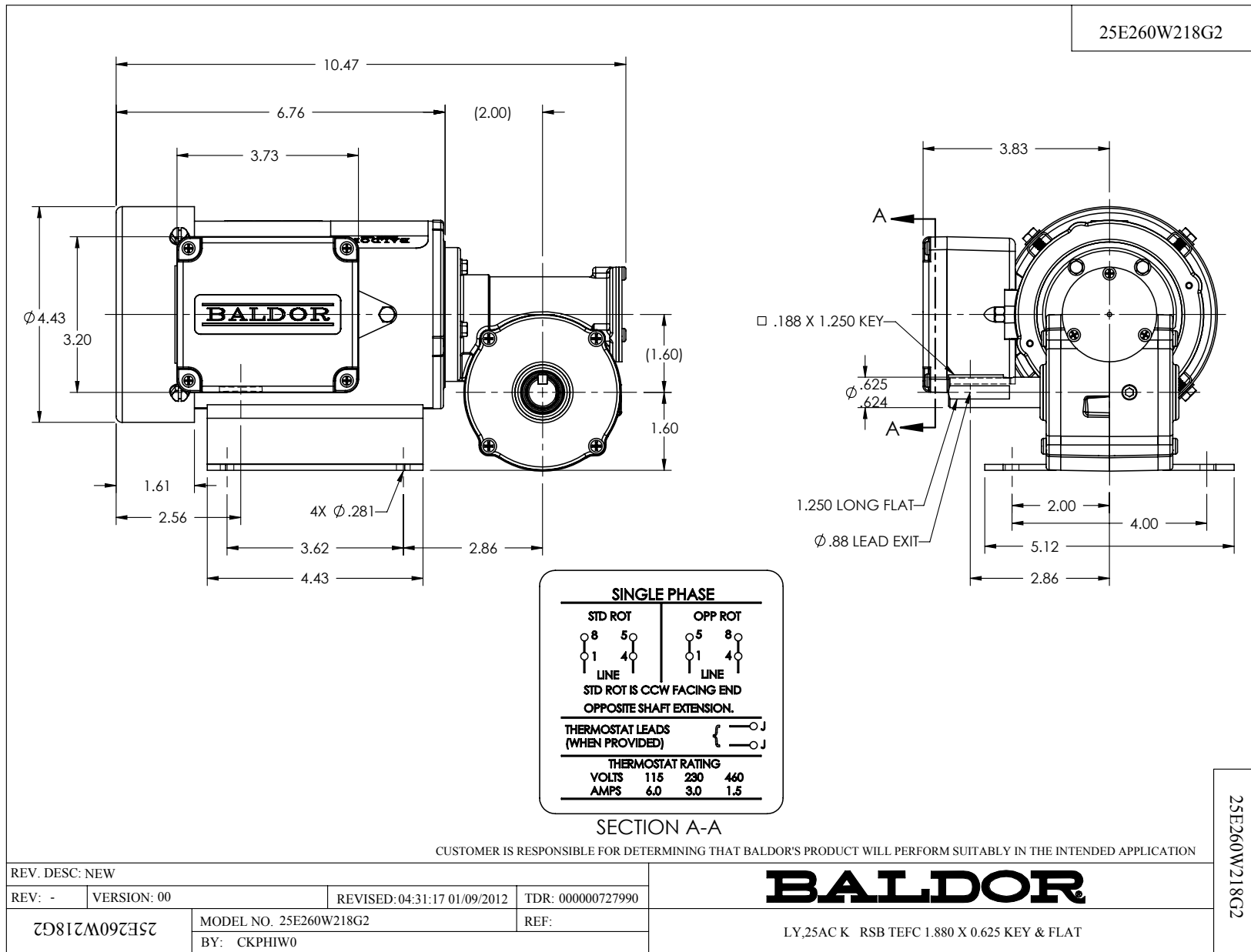
| Part Detail | | | | | | | |
|-------------|------|----------------|-------|-------------|----------|---------------|--------------|
| Revision: | V | Status: | PRD/A | Change #: | | Proprietary: | No |
| Type: | AC | Prod. Type: | 2524S | Elec. Spec: | 25WGW218 | CD Diagram: | CD1917 |
| Enclosure: | TEFC | Mfg Plant: | | Mech. Spec: | | Layout: | 25E260W218G2 |
| Frame: | K | Mounting: | | Poles: | 04 | Created Date: | |
| Base: | | Rotation: | R | Insulation: | F | Eff. Date: | 10-13-2014 |
| Leads: | 4#18 | | | | | Replaced By: | |
| Literature: | | Elec. Diagram: | | | | | |

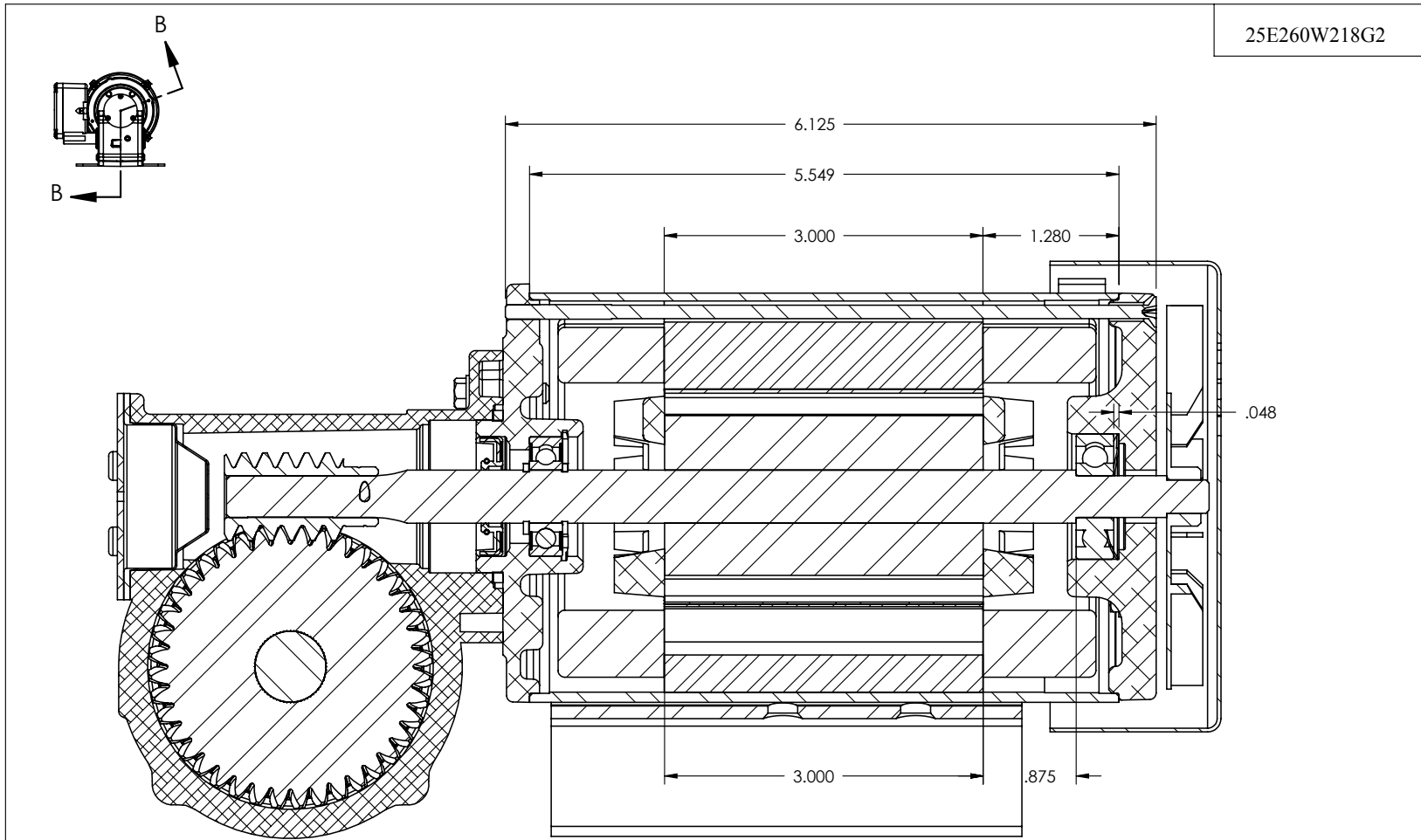
| | | | | |
|----------------------------|------------------|----------|------|---------|
| Nameplate NP1220A05 | | | | |
| CAT.NO. | GC25014 | | | |
| SER.NO | | | | |
| SPEC. | 25E260W218G2 | | | |
| HP | .09//.12 TE | | | |
| VOLTS | 110//115 | | | |
| AMP | 2.75//2.5 | | | |
| HZ | 50//60 | PH | 1 | |
| AMB. | 40 | DUTY | CONT | |
| CAP | | CODE | - | |
| SER.F. | 1.00 | CLASS | F | |
| SF AMP | * | | | |
| R.P.M. | 140//170 | | | |
| TORQ/IN LB | 33 | | | |
| RATIO | 10:1 | | | |
| APRV-CE | | APRV-CSA | | APRV-UL |

| Parts List | | |
|--------------|--|----------|
| Part Number | Description | Quantity |
| SA060583 | SA 25E260W218G2 | 1.000 EA |
| RA054918 | RA 25E260W218G2 | 1.000 EA |
| SR000445 | SR 25E260W218G2 | 1.000 EA |
| LC0017 | CONN LABEL-1 PHASE-SINGLE VOLT-REV ROTNO | 1.000 EA |
| 25EP3100A08G | EP,25AC DE CL 60R8 RA 2.375 BC | 1.000 EA |
| HW5002A44 | N5002-112 RET RING INTERNBEVELED F/6001 | 1.000 EA |
| HA3170A06 | THRUBOLT, FLAT HD. #8-32 6.125 LONG | 2.000 EA |
| BFN3712 | FAN,PM MOTOR STYLE R | 1.000 EA |
| HW4600E07 | SEAL,TRANSCOM #05112ASCW .500 X 1.125 X | 1.000 EA |
| 51XT0832G05 | SCREW,HEX HD 8-32 X 5/16 GRN. | 1.000 EA |
| 25FH4003G | FAN COVER, 25F PAINTED | 1.000 EA |
| 51XB1016A08 | 10-16X 1/2HXWSSLD SERTYB | 4.000 EA |
| HG0048A01G | HSG,K EX | 1.000 EA |
| RM1057 | RUBBER SQUARE RING 1.424 I.D. | 2.000 EA |
| BG6203A01 | 6203 OPEN,C3,SLUSH | 1.000 EA |
| HW5002A51 | RET RING N5002 - 156 (WALDES) BEVELED 40 | 1.000 EA |
| HW5100A03SP | WAVY WASHER (W1543-017) | 1.000 EA |
| 60XM0832A10 | SCREW, PAN TORX 8-32X.625 THREAD FORMING | 4.000 EA |
| HW4600D29 | SEAL, TCM #060871SC-G (.625" X .875" | 1.000 EA |
| RM1056 | RUBBER SQUARE RING 2.739 I.D. | 1.000 EA |
| 60XM0832A10 | SCREW, PAN TORX 8-32X.625 THREAD FORMING | 4.000 EA |
| BCG5494-002G | CAP,K BOX GEARHOUSING, MACH'D W/ GRAY | 1.000 EA |
| RM1056 | RUBBER SQUARE RING 2.739 I.D. | 1.000 EA |
| HA1194B01 | BLADDER,CJK EXPANSION | 1.000 EA |

| Parts List (continued) | | |
|------------------------|--|----------|
| Part Number | Description | Quantity |
| 15XM0632A06 | SCREW, 6-32X .375, THREAD FORMING | 3.000 EA |
| BCG5494-001G | CAP, "K" BOX GEARHOUSING, MACH'D | 1.000 EA |
| 19XN1032A09 | SCREW, HEX WASHER HEAD, #10-32 X .563 W/ | 2.000 EA |
| 19XN1032A12 | SCREW, HEX WASHER HEAD, #10-32 X .750 | 2.000 EA |
| BMH1910 | KEY 3/16X3/16X1 1/8 AUTO X | 1.000 EA |
| ME4000 | .375-.75" DIA.#SW-04 WOVEN SHAFT PROTECT | 0.156 FT |
| XY0632A05 | NUT, #6-32 SELF LOCKING | 2.000 EA |
| XY0632A04 | NUT, #6-32 ACORN, HIGH CROWN | 1.000 EA |
| 15XP0619A08 | #6-19X1/2 PAN HD PHILLIPS PLASTITE 48-2 | 4.000 EA |
| 25EP2101A18G | EP,25AC ODE CL NONE 0.500 SHAFT EXIT | 1.000 EA |
| HW5109A08 | WASHER, WAVE SPRING FOR 30MM BORE SMALLE | 1.000 EA |
| MJ5019A01 | ADHESIVE LOCTITE #680 WAS BAD4525 | 0.010 EA |
| LD0090A38 | LD,02 6" 4 8 (RELAY) | 1.000 EA |
| 24CB3000A | CONDUIT BOX - MODEL 24 KENCO | 1.000 EA |
| 24CB3500A | CONDUIT BOX LID - MODEL 24 W/ LOGO KENCO | 1.000 EA |
| MJ1000B02 | KLUB. GH6-460 GEAR OIL 1 GALLON | 0.024 GA |
| HA4021A05 | 1/16 NPSF-HX SOC PIPE PLUG TAPER DRY SEA | 1.000 EA |
| WM0054A01 | WORM,K 10.0 INP | 1.000 EA |
| NP1220A05 | NP,AC STD AD NONE V CE CSA UL GEAR MOTOR | 1.000 EA |
| LB1451 | WARNING LABEL, CE WARNING SYMBOLS ONLY | 1.000 EA |
| MN416A01 | TAG-INSTAL-MAINT no wire (1200/bx) 10/13 | 1.000 EA |
| CPA1000 | PACKING GROUP STD. SINGLE | 1.000 EA |
| LB1171 | LABEL CARTON 6X6 ON LINE BLANK ROLLS | 1.000 EA |
| MG2000A14 | RUST VETO 342 RUST INHIBITOR | 0.001 GA |

No performance data has been
assigned to this product.





25E260W218G2

SECTION B-B

CUSTOMER IS RESPONSIBLE FOR DETERMINING THAT BALDOR'S PRODUCT WILL PERFORM SUITABLY IN THE INTENDED APPLICATION

| | | | |
|----------------|-------------|------------------------------|-------------------|
| REV. DESC: NEW | | | |
| REV: - | VERSION: 00 | REVISED: 04:31:17 01/09/2012 | TDR: 000000727990 |
| 25E260W218G2 | | MODEL NO. 25E260W218G2 | REF: |
| | | BY: CKPHIW0 | |

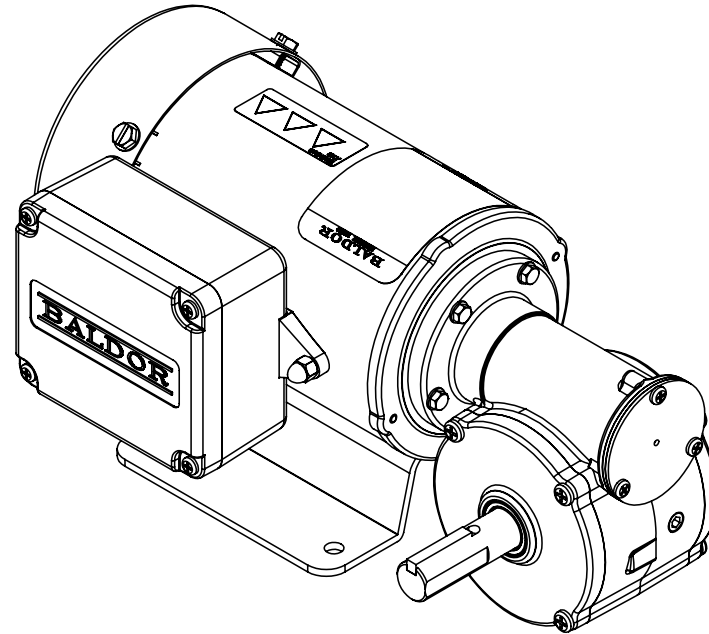
BALDOR

LY,25AC K RSB TEFC 1.880 X 0.625 KEY & FLAT

25E260W218G2

| ITEM NO. | PART NUMBER | QTY. |
|----------|-----------------------------|------|
| 1 | 25EP3100A08 | 1 |
| 2 | HW4600E07 | 1 |
| 3 | BG6R8 | 1 |
| 4 | HW5002A44 | 1 |
| 5 | HW5002A51 | 1 |
| 6 | 25SH1014E01 | 1 |
| 7 | 25RC2024A00 | 1 |
| 8 | SKF - 6200 - 8,DE,NC,8_68 | 1 |
| 9 | HW5060A27 | 2 |
| 10 | WM0054A01 | 1 |
| 11 | HW3081C06 | 1 |
| 12 | 25SB0016E02 | 1 |
| 13 | 24CB3000A | 1 |
| 14 | XY0632A04 | 1 |
| 15 | XY0632A05 | 2 |
| 16 | 24CB3500A | 1 |
| 17 | 15XP0619A08 | 4 |
| 18 | 25EP2101A18 | 1 |
| 19 | HW5109A08 | 1 |
| 20 | 51XT0832G05 | 1 |
| 21 | HA3170A06 | 2 |
| 22 | BFN3712 | 1 |
| 23 | 25FH4003 | 1 |
| 24 | 51XB1016A08 | 4 |
| 25 | RM1057 | 1 |
| 26 | HG0048A01 | 1 |
| 27 | HA4021A05 | 1 |
| 28 | HA1194B01 | 1 |
| 29 | 15XM0632A06 | 3 |
| 30 | 19XN1032A09 | 2 |
| 31 | 19XN1032A12 | 2 |
| 32 | BCG5494-001 | 1 |
| 33 | BCG5494-002 | 1 |
| 34 | SKF - 6203 - 10,DE,NC,10_68 | 2 |
| 35 | HW4600D29 | 1 |
| 36 | RM1056 | 2 |
| 37 | 15XM0832A10 | 8 |
| 38 | HW5100A03 | 1 |
| 39 | GE0058A04 | 1 |
| 40 | HA2250 | 1 |
| 41 | BMH1910 | 1 |
| 42 | NP1220 25AC RSB | 1 |
| 43 | LC0017 | 1 |
| 44 | LB1451 | 1 |

25E260W218G2



25E260W218G2

CUSTOMER IS RESPONSIBLE FOR DETERMINING THAT BALDOR'S PRODUCT WILL PERFORM SUITABLY IN THE INTENDED APPLICATION

| | | | |
|----------------|-------------|------------------------------|-------------------|
| REV. DESC: NEW | | | |
| REV: - | VERSION: 00 | REVISED: 04:31:17 01/09/2012 | TDR: 000000727990 |
| 25E260W218G2 | | MODEL NO. 25E260W218G2 | REF: |
| | | BY: CKPHIW0 | |

BALDOR

LY,25AC K RSB TEFC 1.880 X 0.625 KEY & FLAT

