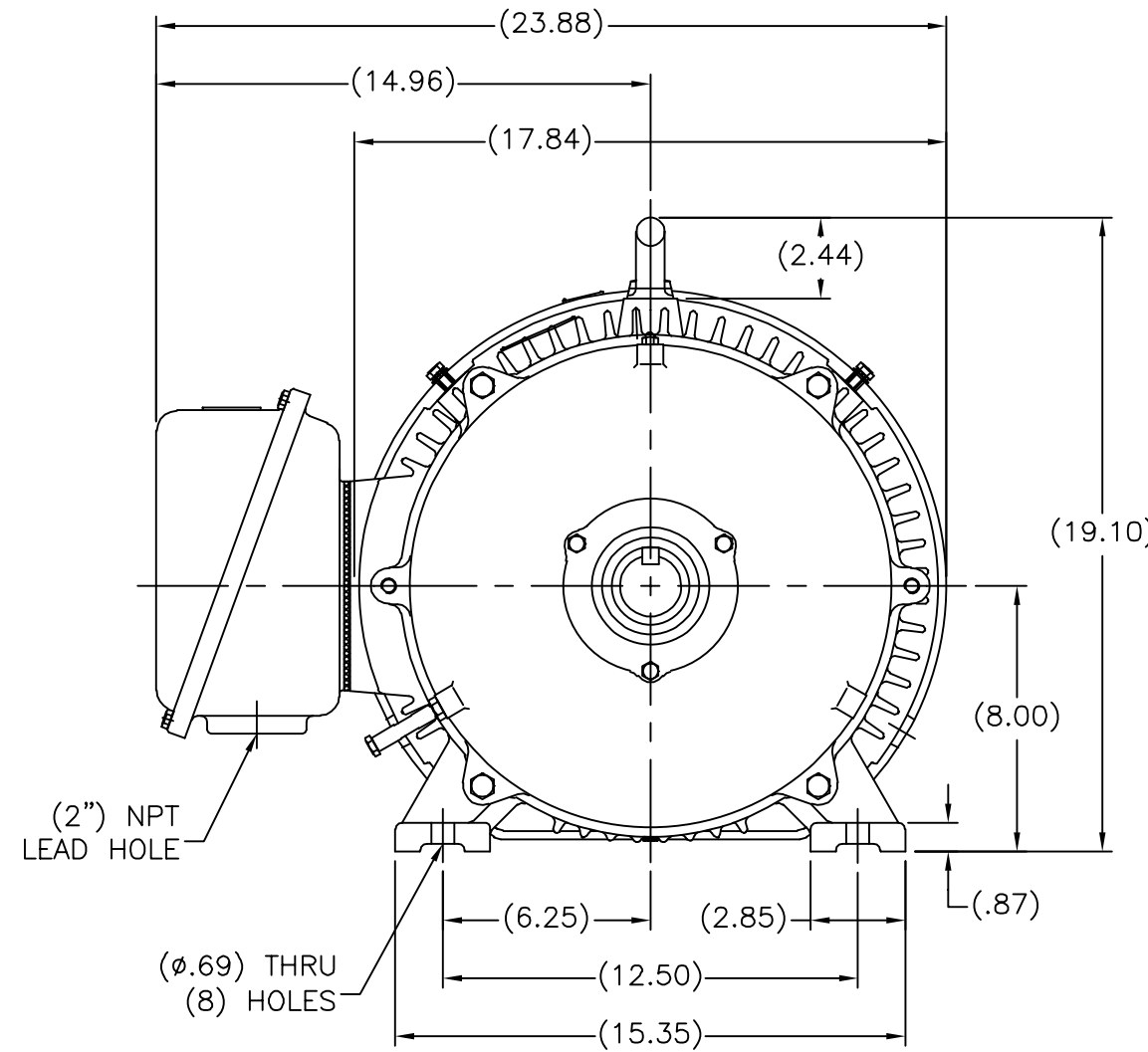
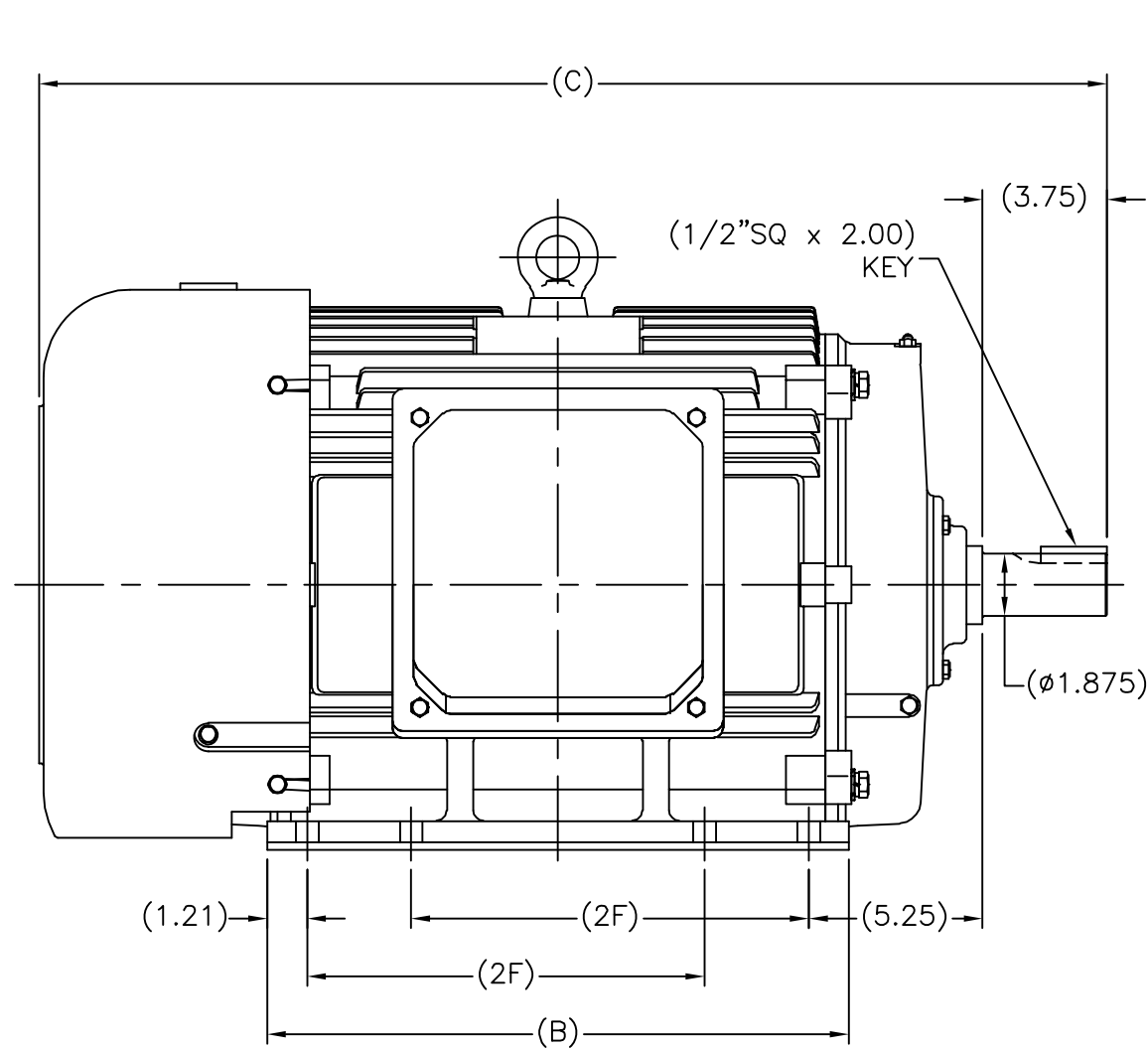


SS620248



(MAY NOT BE DRAWN TO SCALE)

(DIMENSIONS IN TABLE ARE CONSIDERED REFERENCE)

| | | | |
|-------|-------|-------|-------|
| 324TS | 31.26 | 16.37 | 10.50 |
| 326TS | 32.44 | 17.56 | 12.00 |
| FRAME | C | B | 2F |

| | | | | | |
|--|--------------------------------------|-----------------------------|--------|----------------------|---|
| | | TOLERANCES UNLESS SPECIFIED | | DRAWN MSG 01/12/2010 | |
| | | DEC. | INCHES | CHK MJS 01/13/2010 | |
| | | .X | ±.1 | APPD SB 01/13/2010 | |
| | | .XX | ±.03 | SCALE N/A | |
| | | .XXX | ±.005 | REF | |
| 1 | REVISED TITLE BLOCK PER. ECO-0050447 | RFH 05/01/2014 | SB | .XXXX ±.0005 | MAT'L |
| NO. | REVISION | BY & DATE | CHK | ANG ±1/2' | FINISH |
| THIS DRAWING IN DESIGN AND DETAIL IS OUR PROPERTY AND MUST NOT BE USED EXCEPT IN CONNECTION WITH OUR WORK ALL RIGHTS OF DESIGN AND INVENTION ARE RESERVED THIS IS AN ELECTRONICALLY GENERATED DOCUMENT - DO NOT SCALE THIS PRINT | | | | RFP 10/14/2010 | CAD FILE SS620248.dwg |
| | | | | SIZE A | DRAWING NO. PAGE 1 OF 1 REV. SS620248 1 |

REGAL REGAL-BELOIT CORPORATION

TITLE OUTLINE
320TS FR. - TEFC