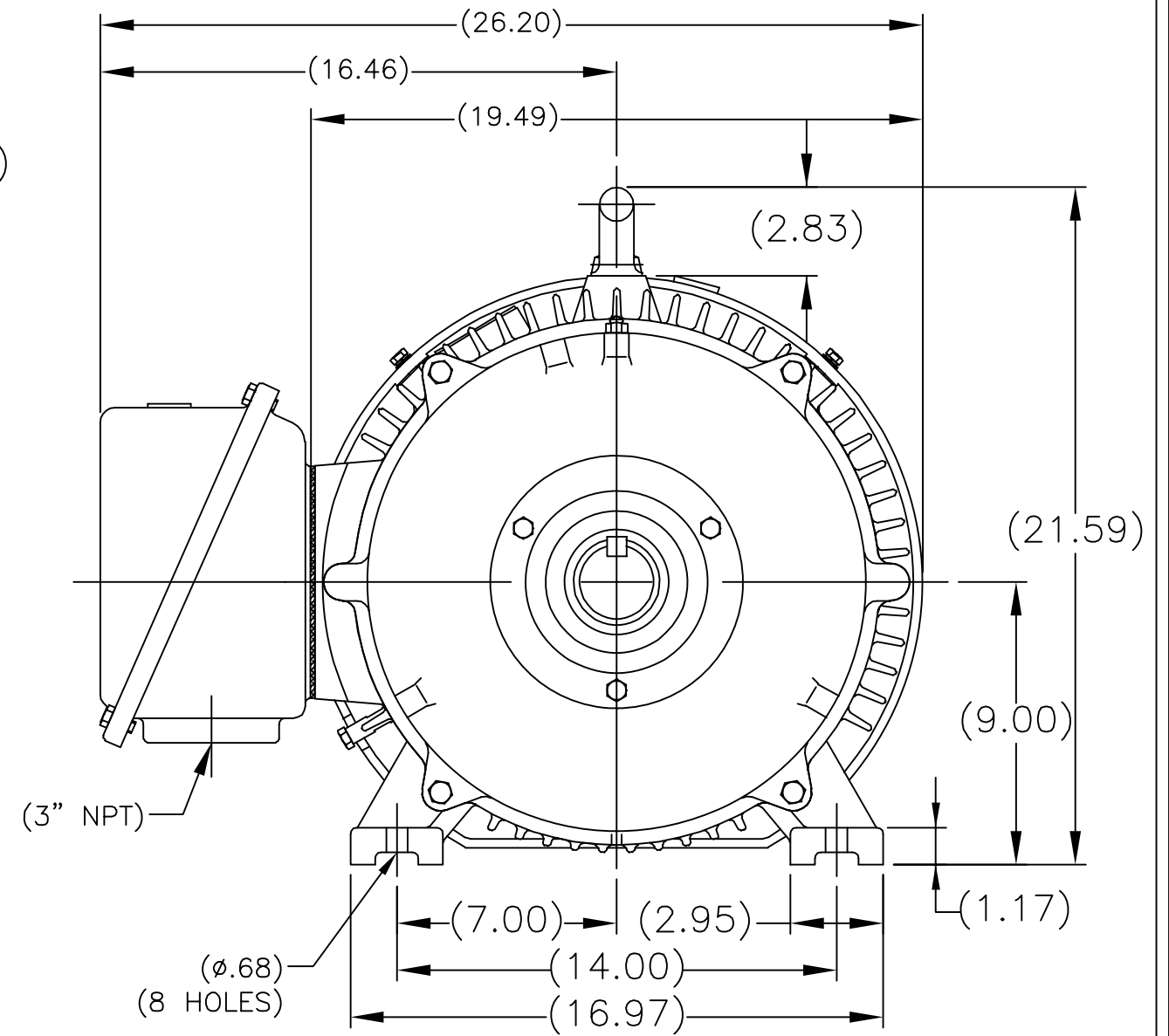
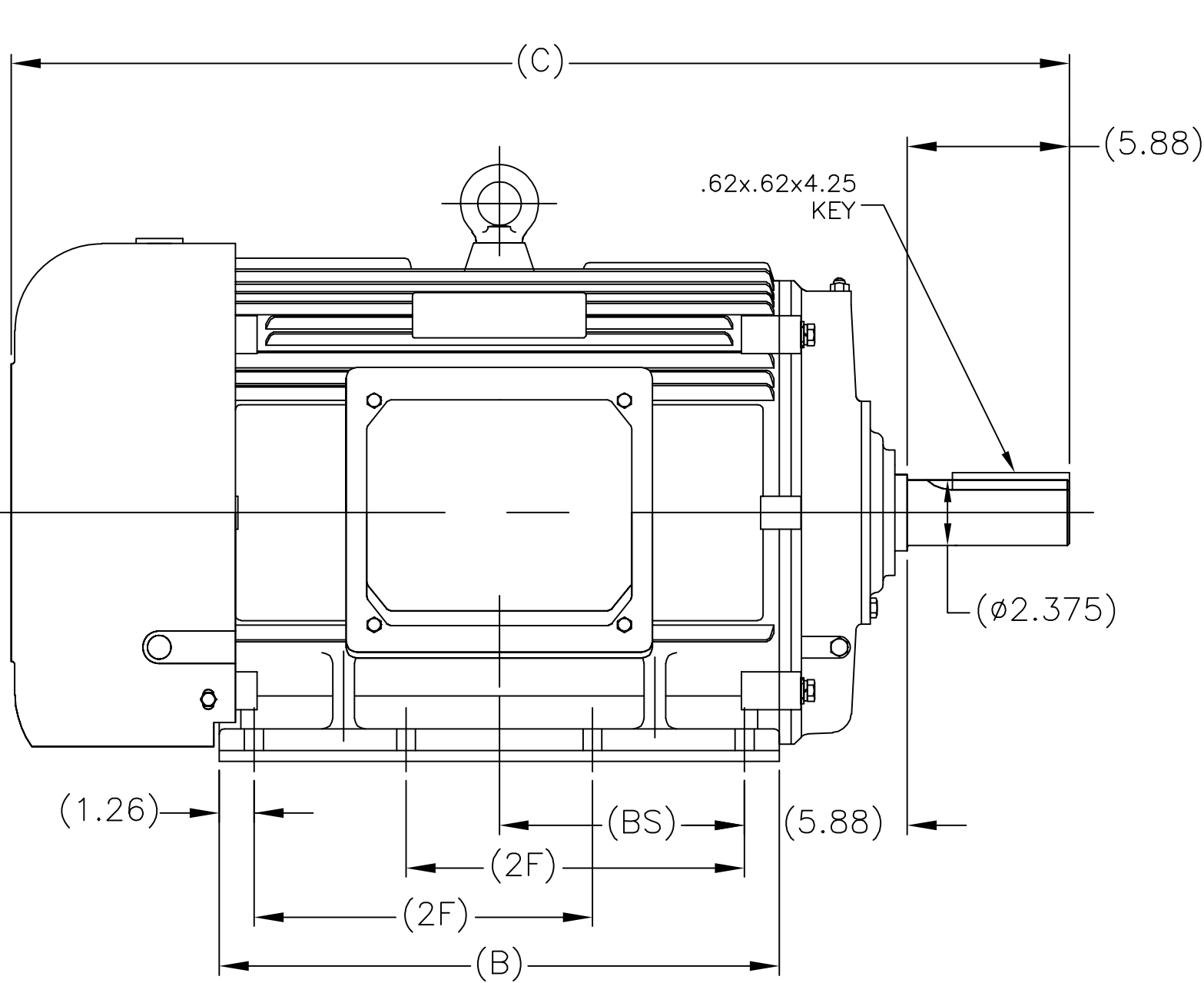


SS620115



(DIMENSIONS IN TABLE ARE CONSIDERED REFERENCE)

(MAY NOT BE DRAWN TO SCALE)

364TTFCA4036	364T	36.61	18.50	11.25	7.99
365TTFCA4036	365T	38.39	20.28	12.25	8.88
MODEL	FRAME	C	B	2F	BS

NO.		REVISION		BY & DATE		CHK		ANG		TOLERANCES UNLESS SPECIFIED		DEC.		INCHES		TITLE		DRAWN	
1		ADDED 'BS' DIM. PER. ECO-0048910		RFH4/07/2014		EH		.XXXX		±.0005		.XX		±.03		OUTLINE		MSG 11-09-2007	
																REGAL - BELOIT CORPORATION		ML 11-09-2007	
																364/365T FR. - ODP - CAST IRON		SB 01-14-2008	
																MAT'L.		SCALE 1=1	
																FINISH		REF	
																RFP		FMF HUADA	
																CAD FILE		PREV	
																SS620115		DRAWING NO.	
																B		SS620115	
																DIST		REV.	
																		1	

THIS DRAWING IN DESIGN AND DETAIL IS OUR PROPERTY AND MUST NOT BE USED EXCEPT IN CONNECTION WITH OUR WORK ALL RIGHTS OF DESIGN AND INVENTION ARE RESERVED THIS IS AN ELECTRONICALLY GENERATED DOCUMENT - DO NOT SCALE THIS PRINT