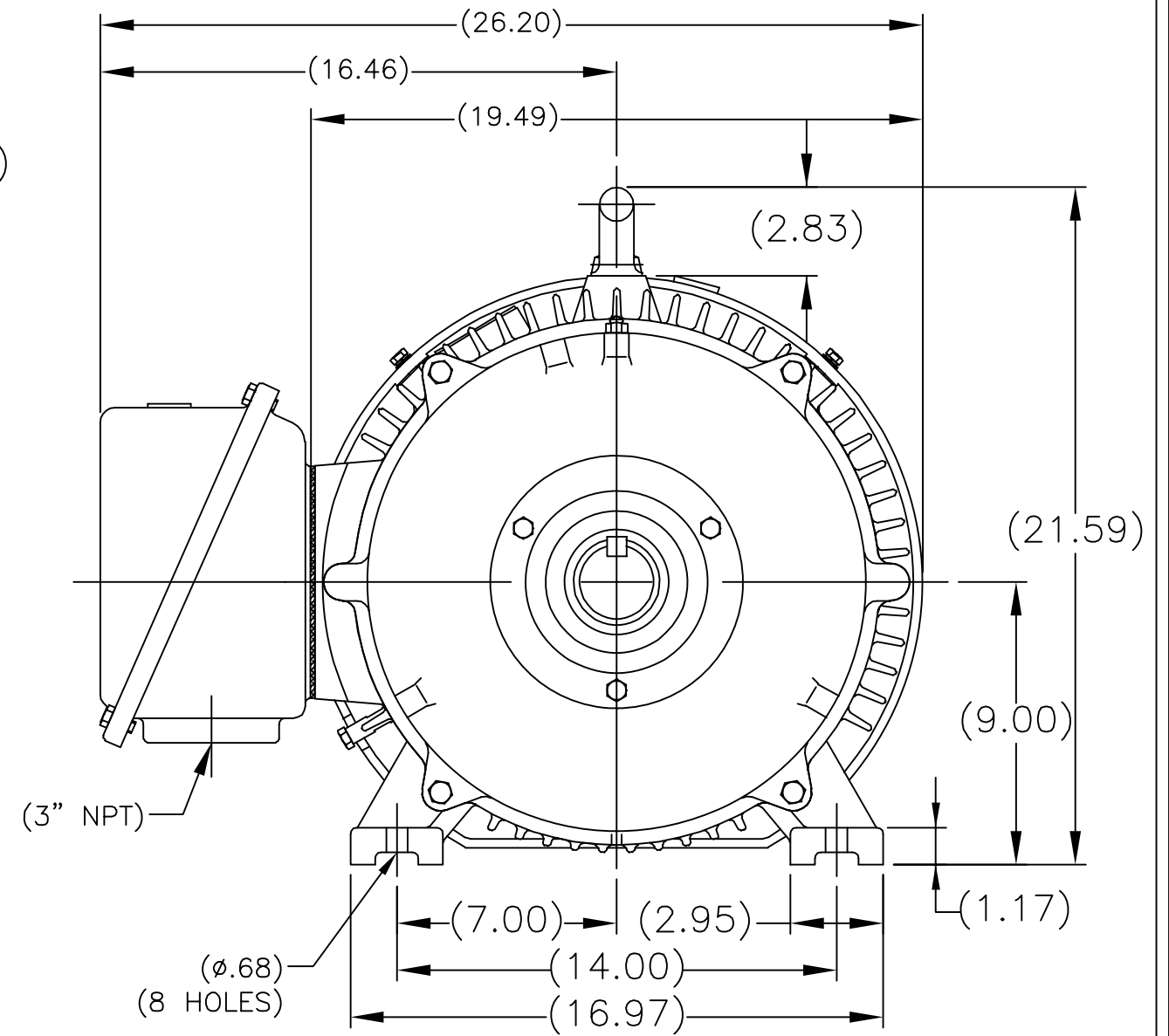
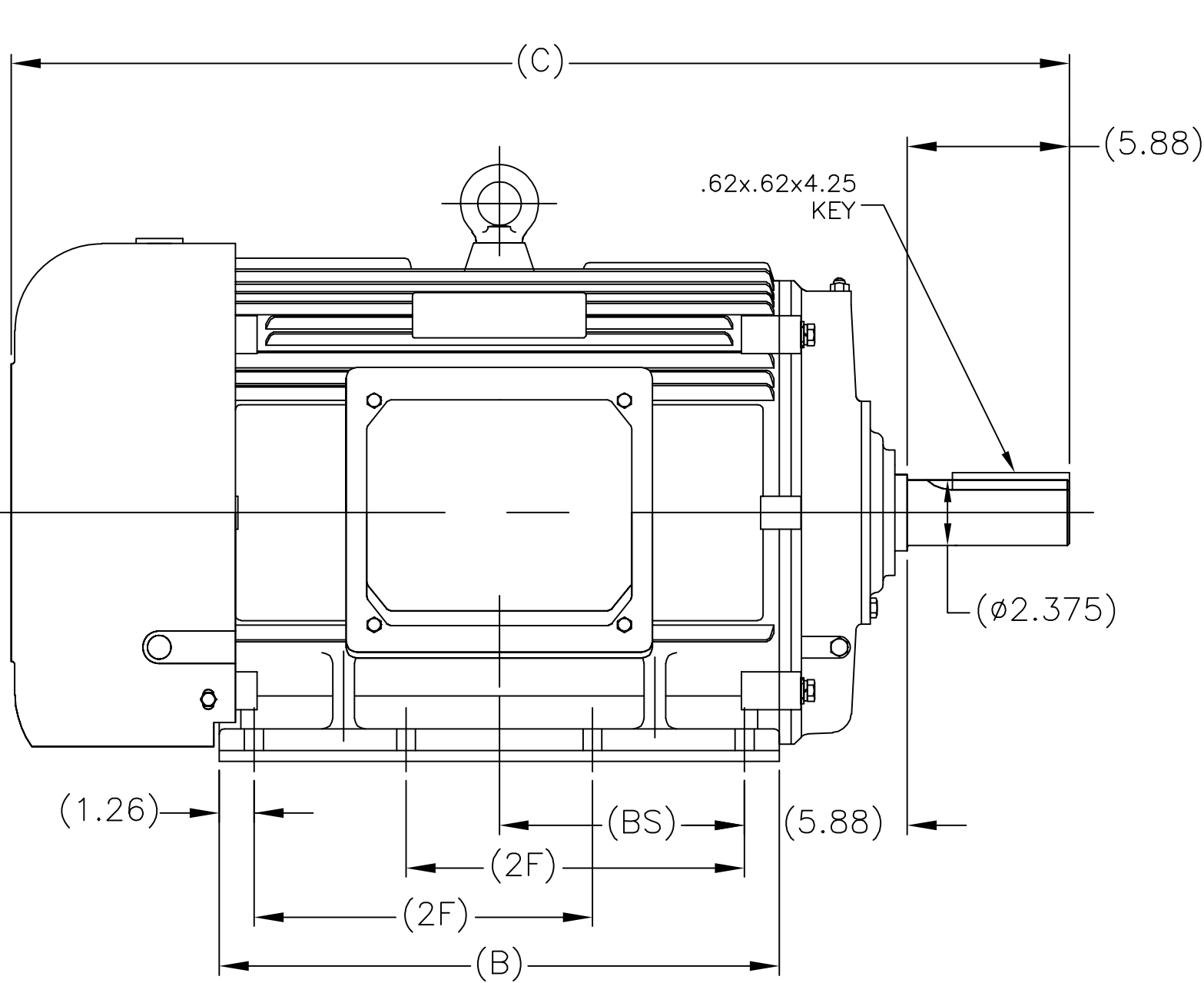


SS620115



(DIMENSIONS IN TABLE ARE CONSIDERED REFERENCE)

364TTFCA4036	364T	36.61	18.50	11.25	7.99
365TTFCA4036	365T	38.39	20.28	12.25	8.88
MODEL	FRAME	C	B	2F	BS

(MAY NOT BE DRAWN TO SCALE)

		TOLERANCES UNLESS SPECIFIED		REGAL REGAL-BELOIT CORPORATION		DRAWN MSG 11-09-2007	
		DEC.	INCHES			CHK ML 11-09-2007	
		.X	±.1	TITLE		APPD SB 01-14-2008	
		.XX	±.03	OUTLINE		SCALE 1=1	
		.XXX	±.005	364/365T FR. - ODP - CAST IRON		REF	
1		ADDED 'BS' DIM. PER. ECO-0048910	RFH04/07/2014	EH	.XXXX	±.0005	MAT'L.
NO.	REVISION		BY & DATE	CHK	ANG	±1/2	FINISH
THIS DRAWING IN DESIGN AND DETAIL IS OUR PROPERTY AND MUST NOT BE USED EXCEPT IN CONNECTION WITH OUR WORK ALL RIGHTS OF DESIGN AND INVENTION ARE RESERVED THIS IS AN ELECTRONICALLY GENERATED DOCUMENT - DO NOT SCALE THIS PRINT				RFP	CAD FILE	SS620115	SIZE DRAWING NO.
				DIST			B SS620115
							REV. 1