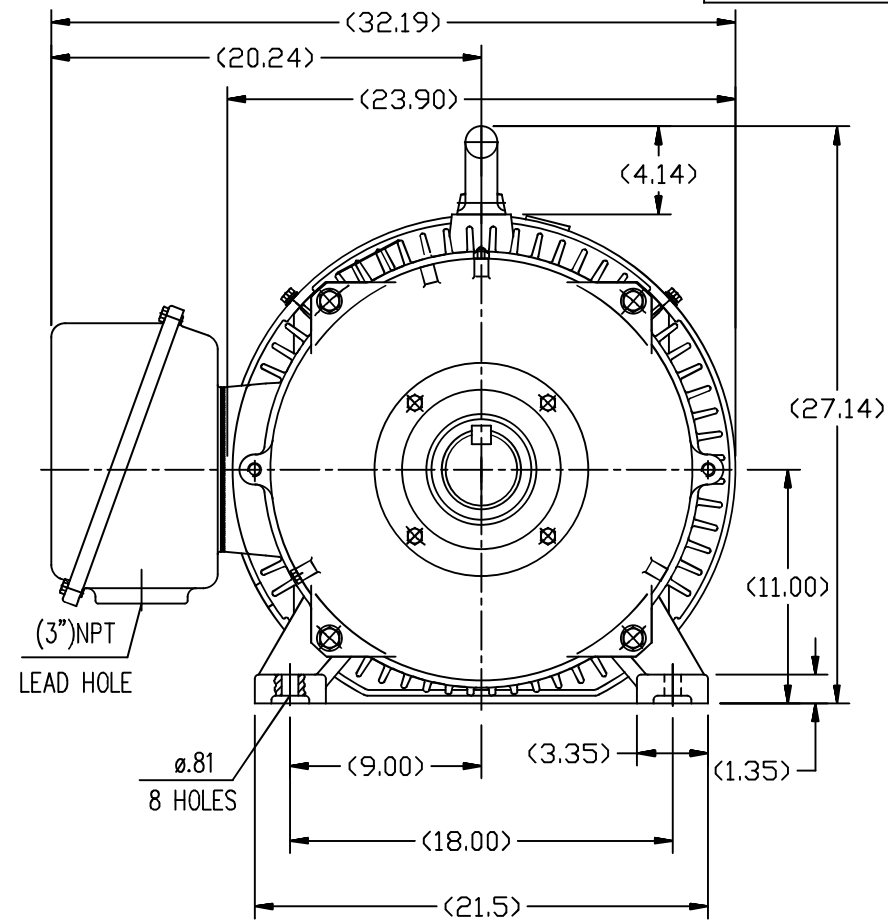
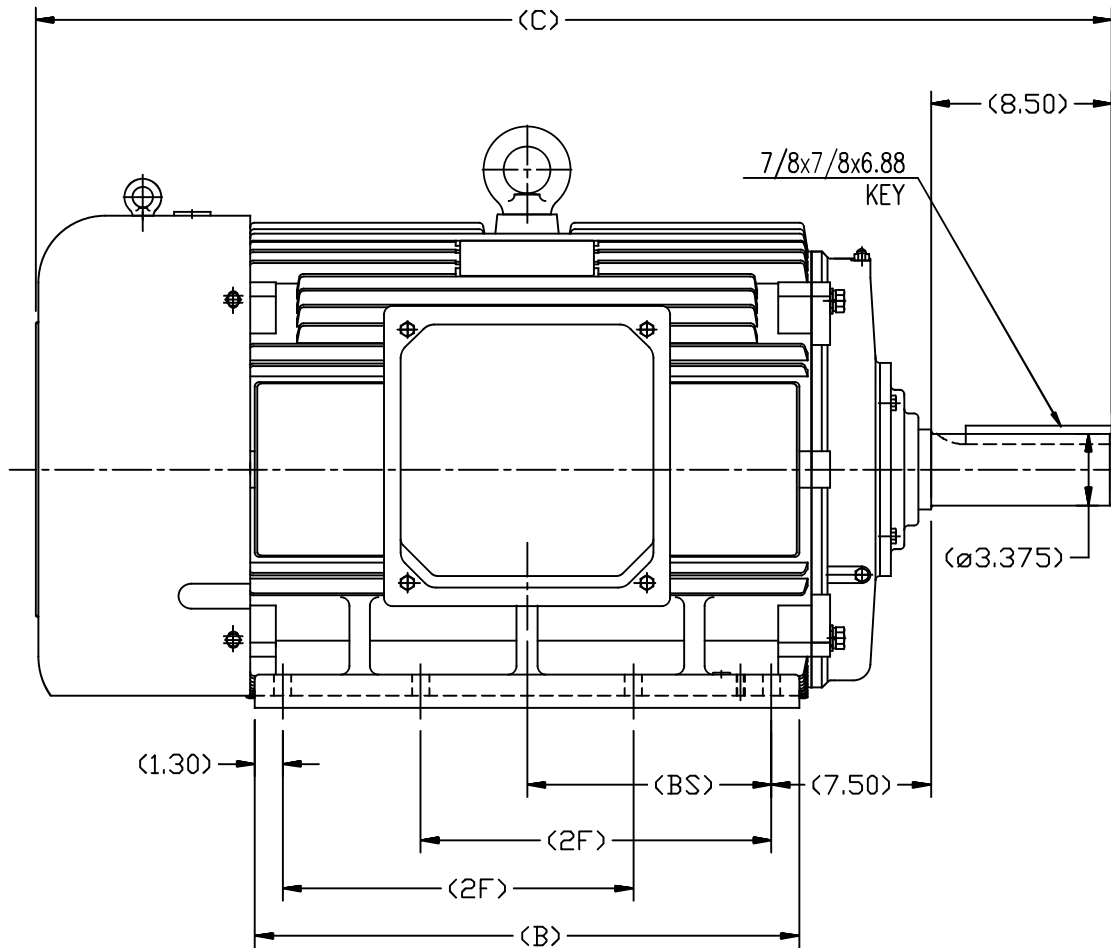


SS620287



444T			14.50	11.50
445T	50.79	25.60	16.50	11.50
447T			20.00	14.06
449T	55.91	30.70	25.00	---
Frame	C	B	2F	BS

		TOLERANCES UNLESS SPECIFIED		REGAL REGAL - BELOIT CORPORATION		DRAWN ZYH 02-20-2010	
		DEC.	INCHES			CHK HZJ 02-20-2010	
		X	±.1			APPD CL 02-20-2010	
		XX	±.03	TITLE		SCALE 1=6	
B	ADDED 'BS' DIM. UPDATED TITLE BLOCK ECD-0048910	RF104/07/2014	EH	.XXX	±.005	444/445/447/449T FR-TEFC-CSAST IRON	
A	2 leads hole change to 1	CL 2010-9-B		.XXXX	±.0005	REF	
NO.	REVISION	BY & DATE	CHK	ANG	±1/2°	FINISH	FMF HWADA
THIS DRAWING IN DESIGN AND DETAIL IS OUR PROPERTY AND MUST NOT BE USED EXCEPT IN CONNECTION WITH OUR WORK ALL RIGHTS OF DESIGN AND INVENTION ARE RESERVED THIS IS AN ELECTRONICALLY GENERATED DOCUMENT - DO NOT SCALE THIS PRINT			RFP			CAD FILE	SS620287
			DIST			SIZE	DRAWING NO.
						B	SS620287
							REV. B