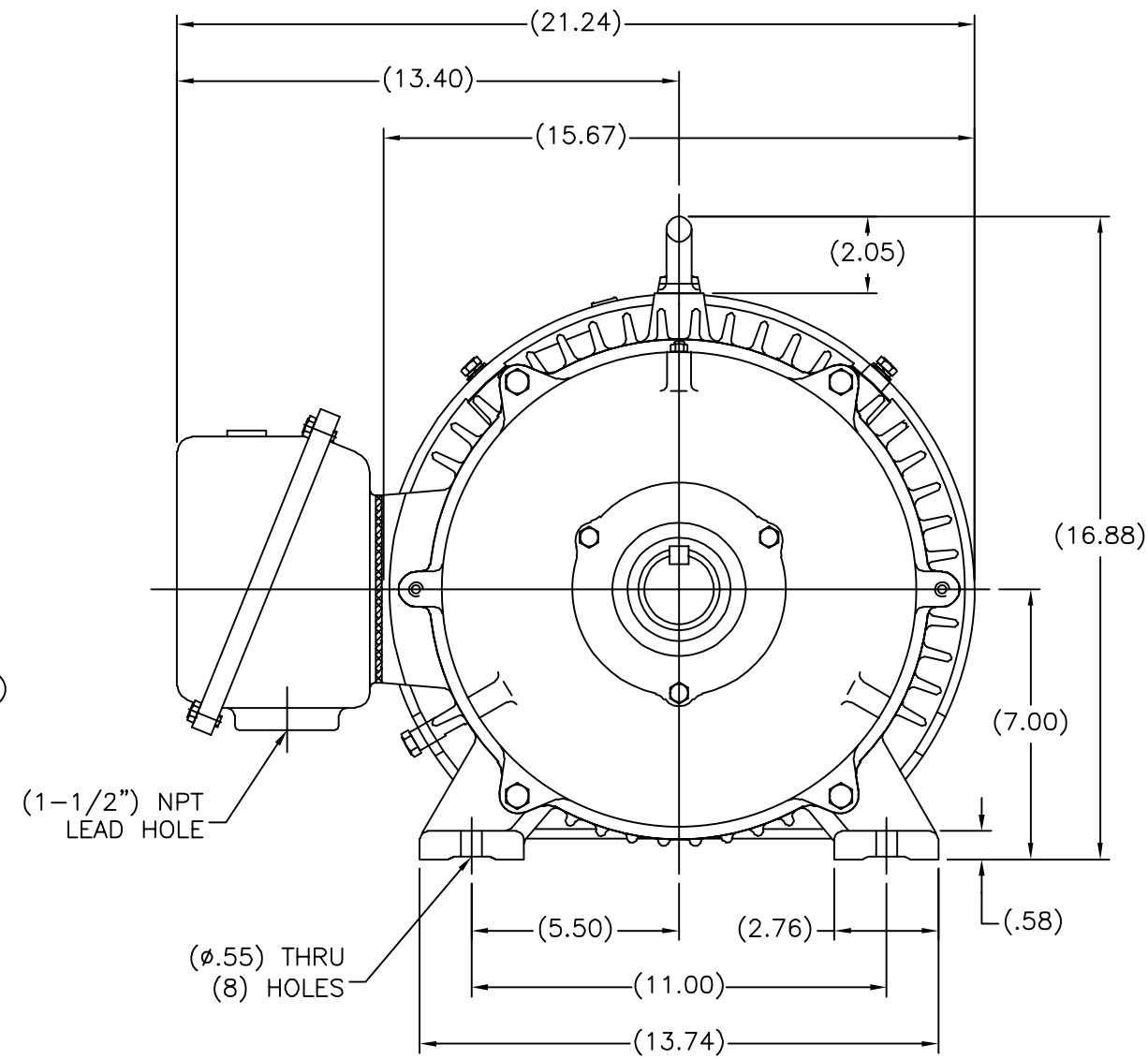
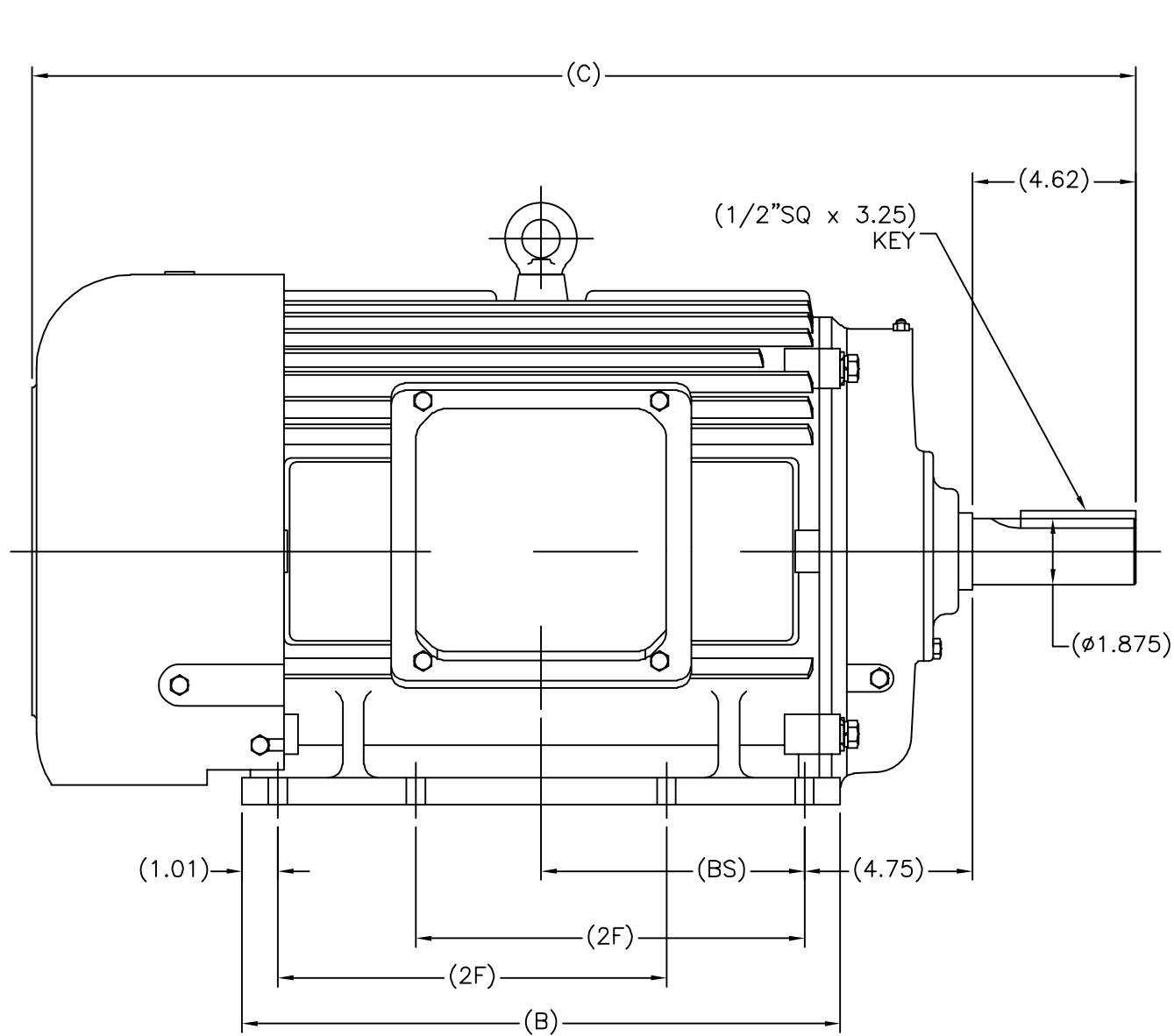


SS620245



(MAY NOT BE DRAWN TO SCALE)

(DIMENSIONS IN TABLE ARE CONSIDERED REFERENCE)

284T	30.16	15.75	9.50	6.86
286T	31.34	16.93	11.00	7.45
FRAME	C	B	2F	BS

		TOLERANCES UNLESS SPECIFIED		DRAWN MSG 01-12-2010	
		DEC.	INCHES	CHK MJS 01-13-2010	
		.X	±.1	APPD SB 01-13-2010	
		.XX	±.03	SCALE 1=4	
		.XXX	±.005	REF	
1	ADDED 'BS' DIM. UPDATED TITLE BLOCK ECO-0048910	RFH	04/07/2014	EH	.XXXX ±.0005
NO. REVISION		BY & DATE		CHK	ANG ±7'30"
				RFP	01-14-2010
				DIST	
				REGAL REGAL-BELOIT CORPORATION	
				TITLE OUTLINE	
				280T FR. - TEFC	
				MAT'L.	
				FINISH	
				CAD FILE SS620245	
				SIZE	DRAWING NO. PAGE OF REV.
				B	SS620245 1

THIS DRAWING IN DESIGN AND DETAIL IS OUR PROPERTY AND MUST NOT BE USED EXCEPT IN CONNECTION WITH OUR WORK ALL RIGHTS OF DESIGN AND INVENTION ARE RESERVED THIS IS AN ELECTRONICALLY GENERATED DOCUMENT - DO NOT SCALE THIS PRINT