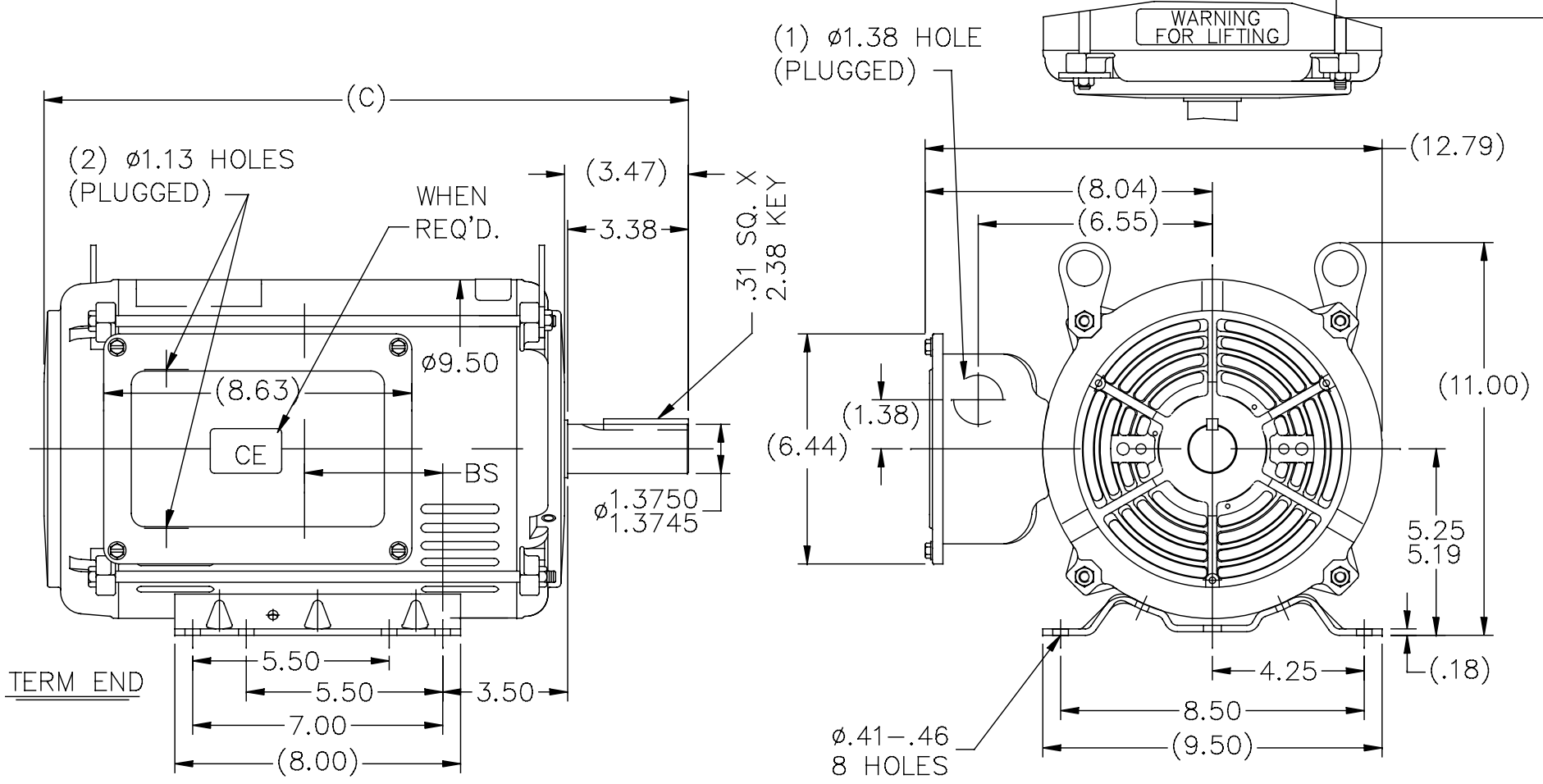


037642



TERM END

DASH	FR.	C	BS
965	213T	16.55	2.45
1115	213/15T	18.05	3.95
1240	213/15T	19.30	5.20

**NOTES:**

1. NAMEPLATE TO BE READ FROM C'BOX SIDE OF MOTOR.

				TOLERANCES UNLESS SPECIFIED		<b>Regal Beloit America, Inc.</b>	DRAWN GRB 11/14/08		
				DEC.	INCHES		CHK SK 11/14/08	APPD	
				.X	±.1	TITLE OUTLINE - 210T DP - RIGID - STD	SCALE	1=4.2	
02	CHANGED LOGO TO REGAL	SL 01/28/16	GR	.XXX	±.005		REF	SS86561	
01	DESCRIPTION CHANGED TO DP - RIGID - STD	AK 02/22/10		.XXXX	±.0005		FMF		
NO.	REVISION	BY & DATE	CHK	ANG	±7'30"	FINISH	PREV		
THIS DRAWING IN DESIGN AND DETAIL IS OUR PROPERTY AND MUST NOT BE USED EXCEPT IN CONNECTION WITH OUR WORK ALL RIGHTS OF DESIGN AND INVENTION ARE RESERVED THIS IS AN ELECTRONICALLY GENERATED DOCUMENT - DO NOT SCALE THIS PRINT				RFP		CAD FILE 037642	SIZE	DRAWING NO. PAGE 1 OF 1	
				DIST	LB		A	037642	
								REV.	02