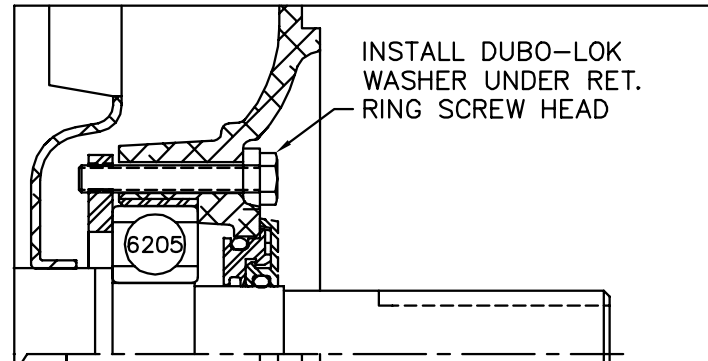


FRONT END DETAIL



PULLEY END DETAIL

CUSTOMER IS RESPONSIBLE FOR DETERMINING THAT BALDOR'S PRODUCT WILL PERFORM SUITABLY IN THE INTENDED APPLICATION.

REV. DESC: REPLACE HA1005A05 WITH HW4600B39			
REV. LTR: A	VERSION: 01	TDR: 00000798580	
FILE: \AAA\00168\400		REVISED: 08:51:46 05/08/2013	
MTL: -		BY: ENADAFO	

**BALDOR**

HOR 143-5TC TEFC 35M WD2 INVERTER, RAISED LTR, .75 NPT LH

SH 1 of 1

35LYSS633