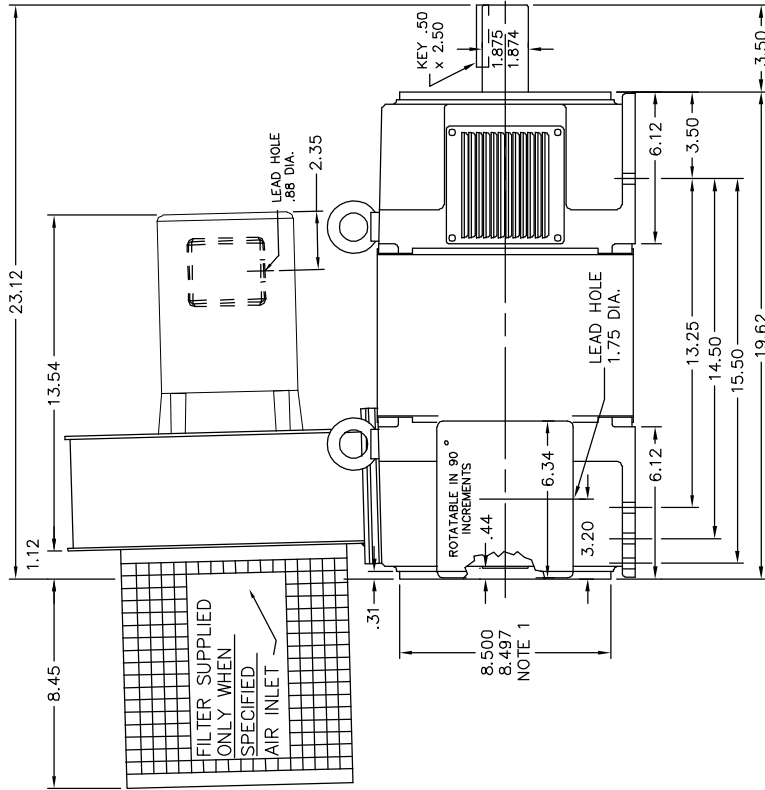


RPMAC VARIABLE SPEED ALTERNATING CURRENT MOTOR  
RL & URL2162Z

ENCLOSURE: DRIPPROOF  
MOUNTING: FOOT  
DRIVE METHOD: COUPLED OR BELTED

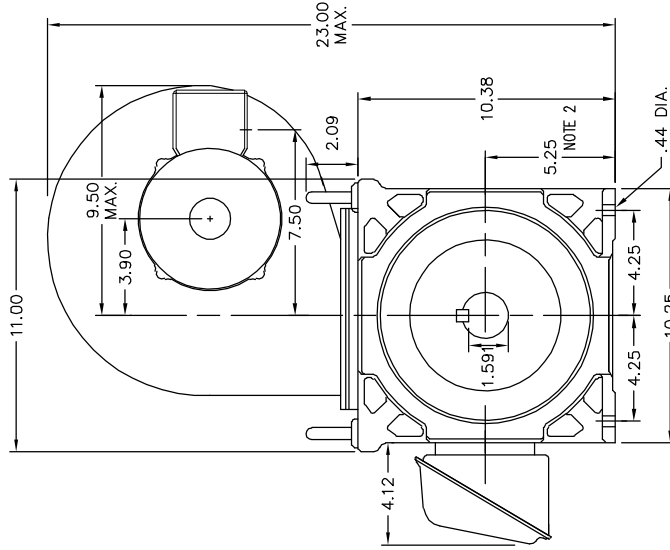
COOLING: FORCE VENTILATED  
ACCESSORIES: PROVISIONS FOR  
TACHOMETER MOUNTING  
ONLY WHEN SPECIFIED



NOTE 1 TACHOMETER MOUNTING  
1/2-13 TAP .88 DEEP, ON A 7.25 DIA. BOLT CIRCLE  
FACE RUNOUT AND ECCENTRICITY .004 MAX. T.I.R.

NOTE 2 SHAFT HEIGHT WILL NOT BE EXCEEDED.  
SHIMS UP TO .03 INCHES IN THICKNESS ARE USUALLY  
REQUIRED FOR COUPLED OR GEARED MACHINES.

TERMINAL BOX MAY BE LOCATED F1 OR F2 IF SPECIFIED  
61 AMP STEEL TERMINAL BOX SHOWN  
REFER TO 616779-50 FOR SPECIFIC TERMINAL BOX DIMENSIONS



MOTOR WEIGHT 305 LBS. (MAY VARY 15%)

BLOWER ASSEMBLY CAN BE LOCATED TOP OR SIDES.  
BLOWER & TERMINAL BOX MAY NOT BE LOCATED ON SAME SIDE.  
REFER TO 616779-51 FOR SPECIFIC TACHOMETER DIMENSIONS

DIMENSIONS ARE IN INCHES SCALE 1:1  
CUSTOMER IS RESPONSIBLE FOR DETERMINING THAT BALDOR'S PRODUCT WILL PERFORM SUITABLY IN THE INTENDED APPLICATION.

REV. DESC: ADDING CORRECT BLOWER MOTOR.	TDR: 000000760692
REV. LTR: A	BY: RGSJGG
FILE: \RGS\00003\004	DIM SHT RPMAC DPFV RL & URL2162Z PROV FOR TACH
MTL: -	SH 1 of 1

**BALDOR**