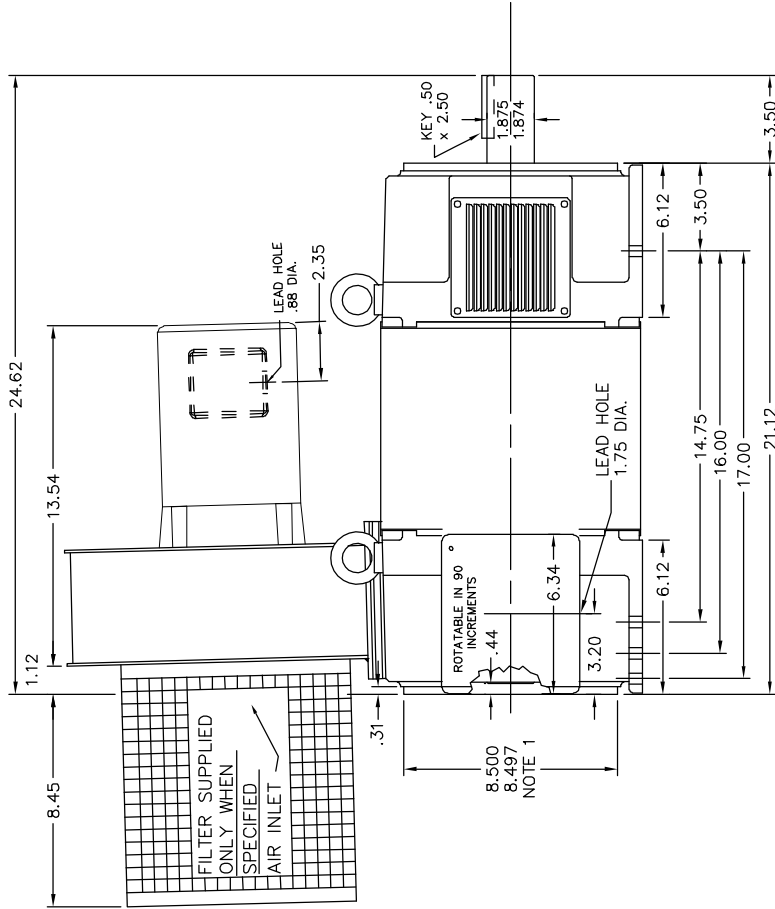


RPMAC VARIABLE SPEED ALTERNATING CURRENT MOTOR
RL & URL2168Z

ENCLOSURE: DRIPPROOF
MOUNTING: FOOT
DRIVE METHOD: COUPLED OR BELTED

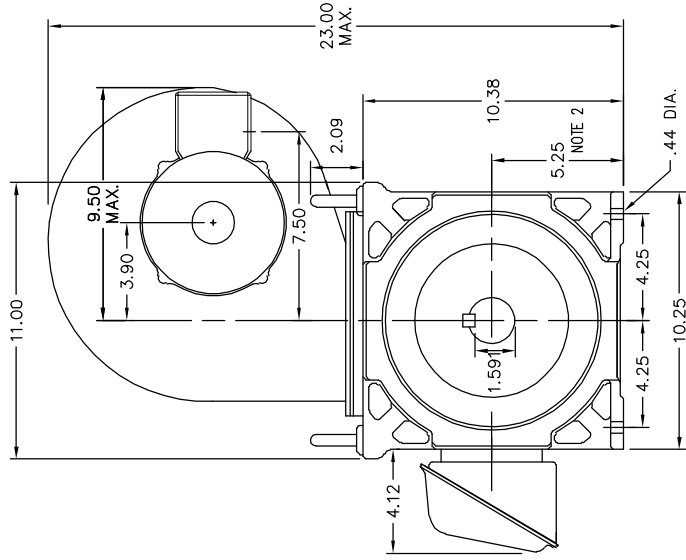
COOLING: FORCE VENTILATED
ACCESSORIES: PROVISIONS FOR
TACHOMETER MOUNTING
ONLY WHEN SPECIFIED



NOTE 1 TACHOMETER MOUNTING
1/2-13 TAP, .88 DEEP, ON A 7.25 DIA. BOLT CIRCLE
FACE RUNOUT AND ECCENTRICITY .004 MAX. T.I.R.

NOTE 2 SHAFT HEIGHT WILL NOT BE EXCEEDED.
SHIMS UP TO .03 INCHES IN THICKNESS ARE USUALLY
REQUIRED FOR COUPLED OR GEARED MACHINES.

TERMINAL BOX MAY BE LOCATED F1 OR F2 IF SPECIFIED
61 AMP STEEL TERMINAL BOX SHOWN
REFER TO 616779-50 FOR SPECIFIC TERMINAL BOX DIMENSIONS



BLOWER ASSEMBLY CAN BE LOCATED TOP OR SIDES.
BLOWER & TERMINAL BOX MAY NOT BE LOCATED ON SAME SIDE.
REFER TO 616779-51 FOR SPECIFIC TACHOMETER DIMENSIONS

MOTOR WEIGHT 345 LBS. (MAY VARY 15%)

DIMENSIONS ARE IN INCHES SCALE 1:1

617206-001

CUSTOMER IS RESPONSIBLE FOR DETERMINING THAT BALDOR'S PRODUCT WILL PERFORM SUITABLY IN THE INTENDED APPLICATION.

REV. LTR: A	VERSION: 01	TDR: 000000763589
FILE: \R66\00003\054	REVISED: 03:36:46 09/05/2012	BY: R66JGG
MTL: -		

BALDOR

DIM SHT RPMAC DPFV RL & URL2168Z PROV FOR TACH

Sht 1 of 1