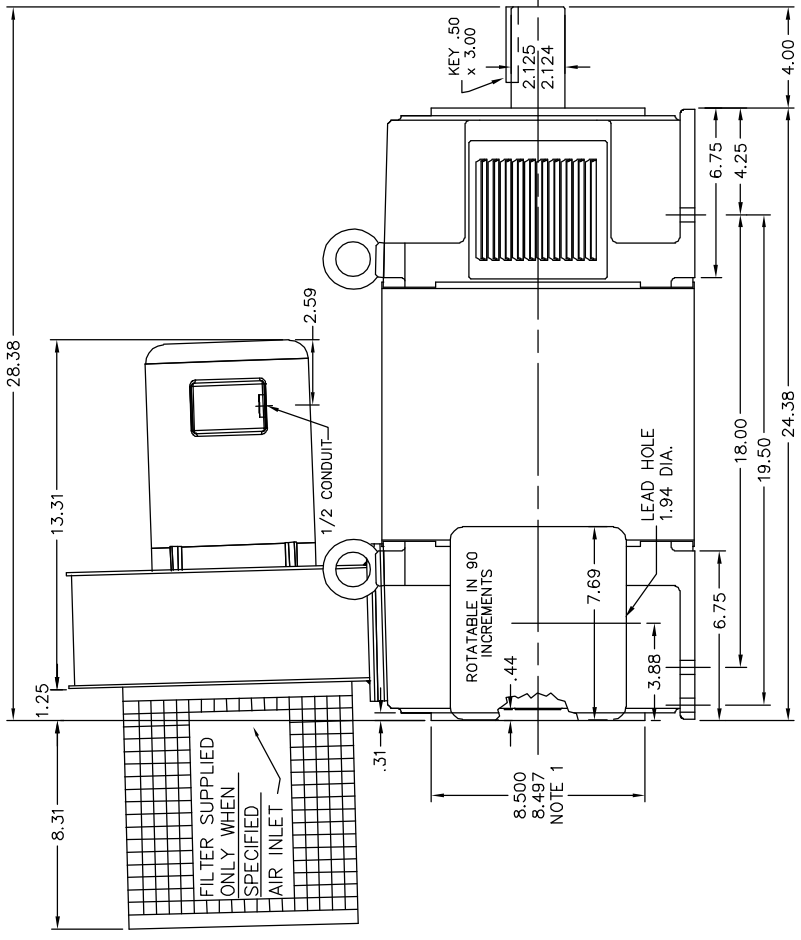


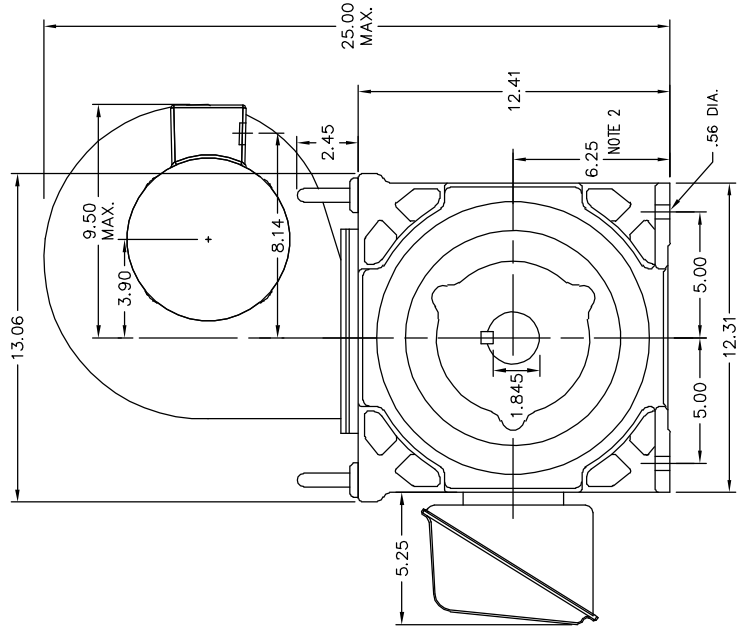
**RPMAC VARIABLE SPEED ALTERNATING CURRENT MOTOR**  
**RL & URL2578Z**

ENCLOSURE: DRIPPROOF  
 MOUNTING: FOOT  
 DRIVE METHOD: COUPLED OR BELTED

COOLING: FORCE VENTILATED  
 ACCESSORIES: PROVISIONS FOR TACHOMETER MOUNTING ONLY WHEN SPECIFIED



NOTE 1 TACHOMETER MOUNTING  
 1/2-13 TAP .88 DEEP, ON A 7.25 DIA. BOLT CIRCLE  
 FACE RUNOUT AND ECCENTRICITY .004 MAX. T.I.R.  
 NOTE 2 SHAFT HEIGHT WILL NOT BE EXCEEDED.  
 SHIMS UP TO .03 INCHES IN THICKNESS ARE USUALLY  
 REQUIRED FOR COUPLED OR GEARED MACHINES.  
 TERMINAL BOX MAY BE LOCATED F1 OR F2 IF SPECIFIED  
 12T AMP STEEL TERMINAL BOX SHOWN  
 REFER TO 616779-50 FOR SPECIFIC TERMINAL BOX DIMENSIONS



MOTOR WEIGHT 545 LBS. (MAY VARY 15%)  
 BLOWER ASSEMBLY CAN BE LOCATED TOP or SIDES.  
 BLOWER & TERMINAL BOX MAY NOT BE LOCATED ON SAME SIDE.  
 REFER TO 616779-51 FOR SPECIFIC TACHOMETER DIMENSIONS

DIMENSIONS ARE IN INCHES SCALE 1:1

CUSTOMER IS RESPONSIBLE FOR DETERMINING THAT BALDOR'S PRODUCT WILL PERFORM SUITABLY IN THE INTENDED APPLICATION.

REV. LTR: A	VERSION: 01	TDR: 00000075962
FILE: \R66\00003\444	REVISED: 10:42:20 12/03/2012	BY: R66JGG
MPL: -		

**BALDOR**

DIM SHT RPMAC DPFV RL & URL2578Z PROV FOR TACH