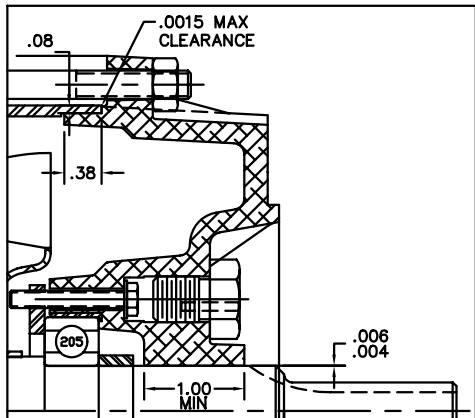
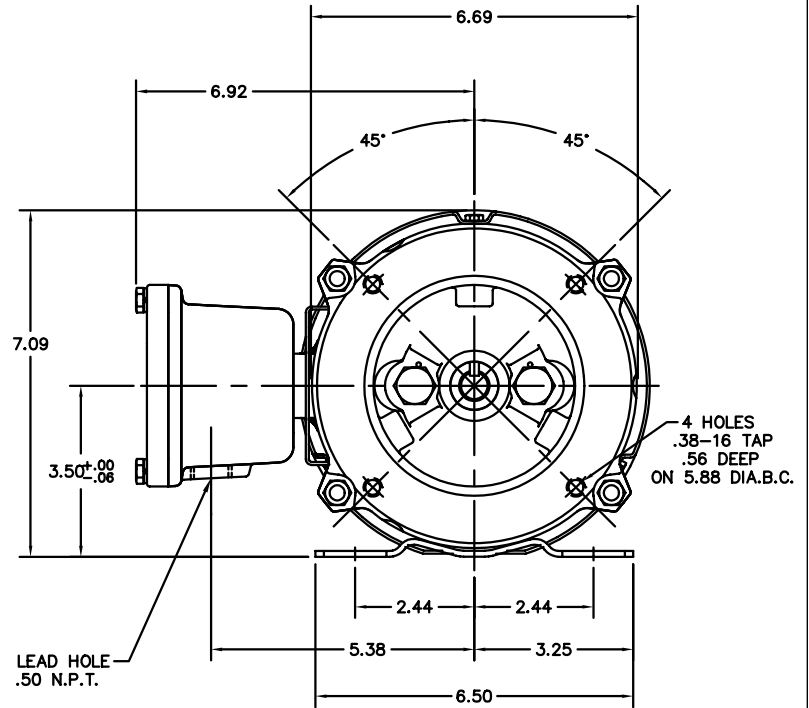
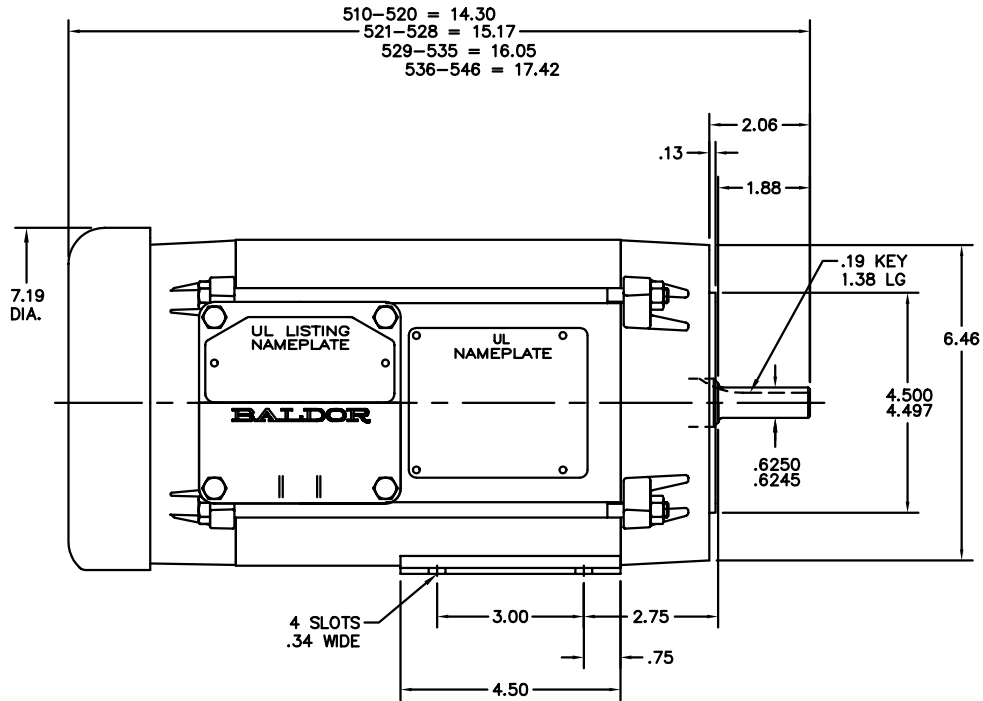


35M998



UL CLASS I - GROUP D & CLASS II - GROUPS F & G

CUST. NAME					CUST. P.O.					REMARKS:			
MODEL	INSUL	AMB	H.P.	MTG	REV: A	ADDED TIGHT SLEEVE TO SECTION VIEW (SEE EC09)							
R.P.M.	VOLTS	ENCL	PHASE	FREQ	SCALE: .4	BY: JED	REVISED: 02/06/97						
FRAME	TYPE	CERTIFIED BY			FILE: AAA00024748	TDR: 0114273							

BALDOR ELECTRIC Co.

HORZ 56C XPFC 35M DUAL CLASS INVERTER DUTY

35M998