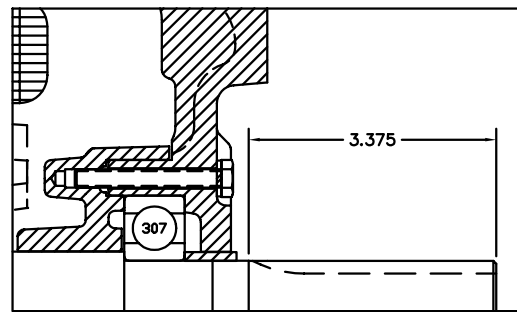
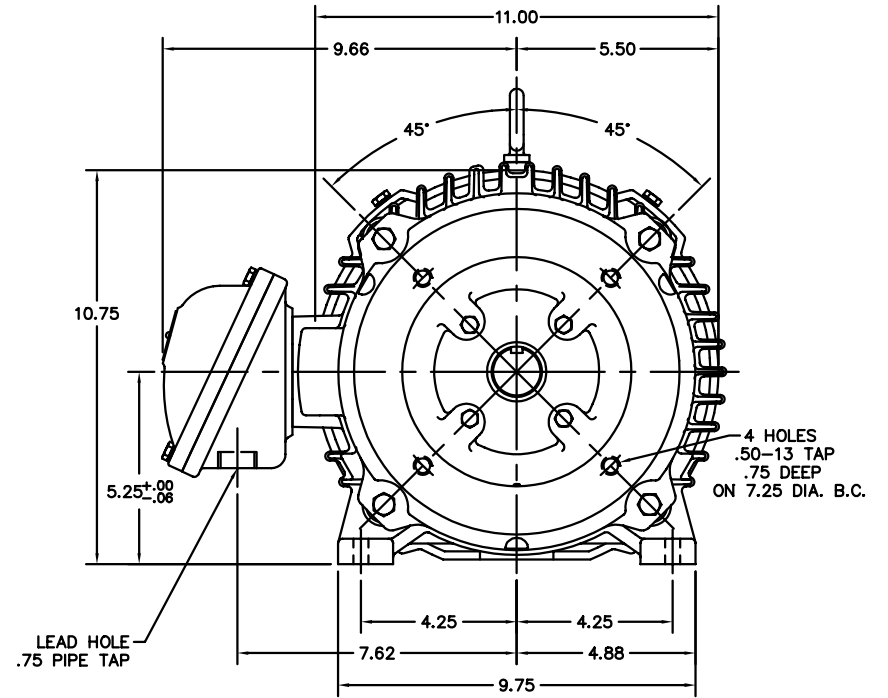
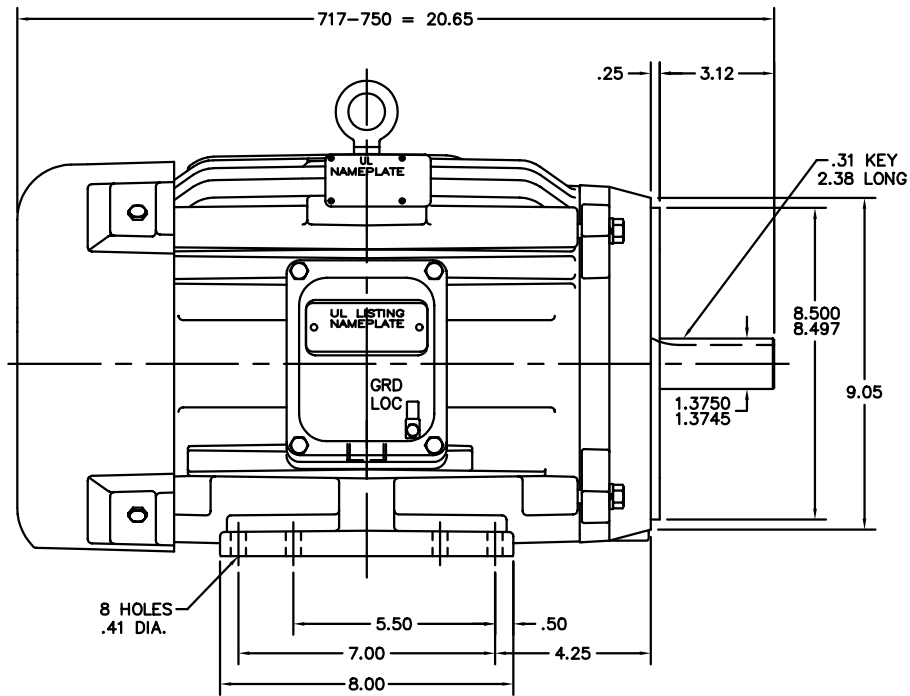


07H867



PULLEY END DETAIL

CUST. NAME		CUST. P.O.			REMARKS:		
MODEL	INSUL	AMB	H.P.	MTG	REV: -	NEW	
R.P.M.	VOLTS	ENCL	PHASE	FREQ	SCALE: .3	BY: OD	REVISED: 06/01/98
FRAME	TYPE		CERTIFIED BY		FILE: AAA00055447		TDR: 0153232

BALDOR ELECTRIC Co.

HOR 213-5TC XPFC 07M CL-I GP-D (INVERTER DUTY)

07H867