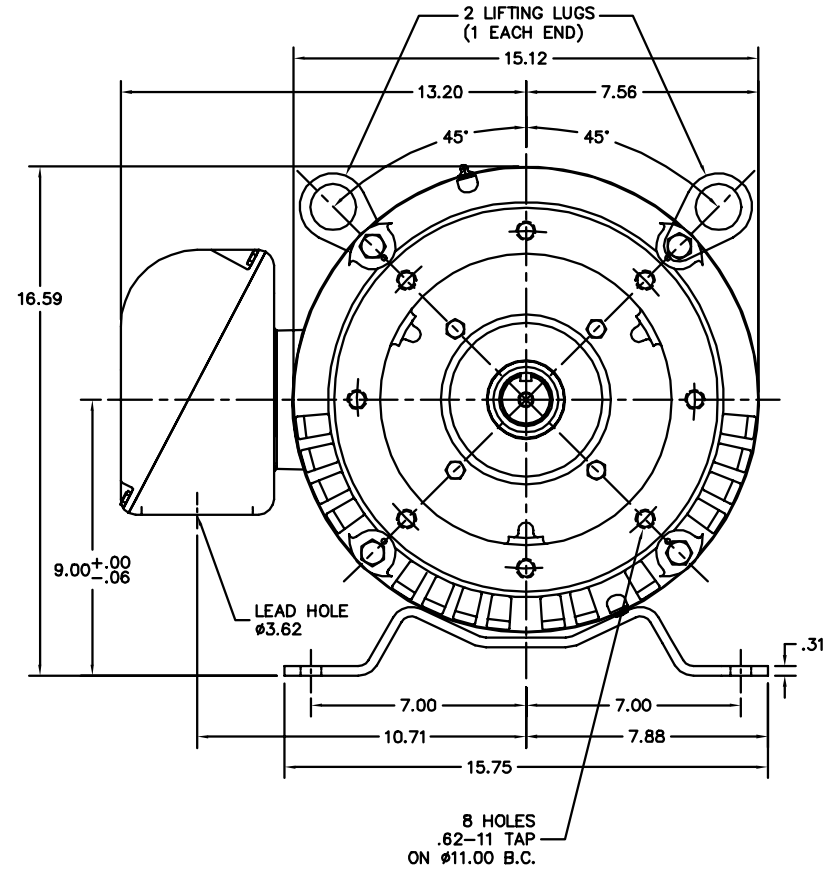
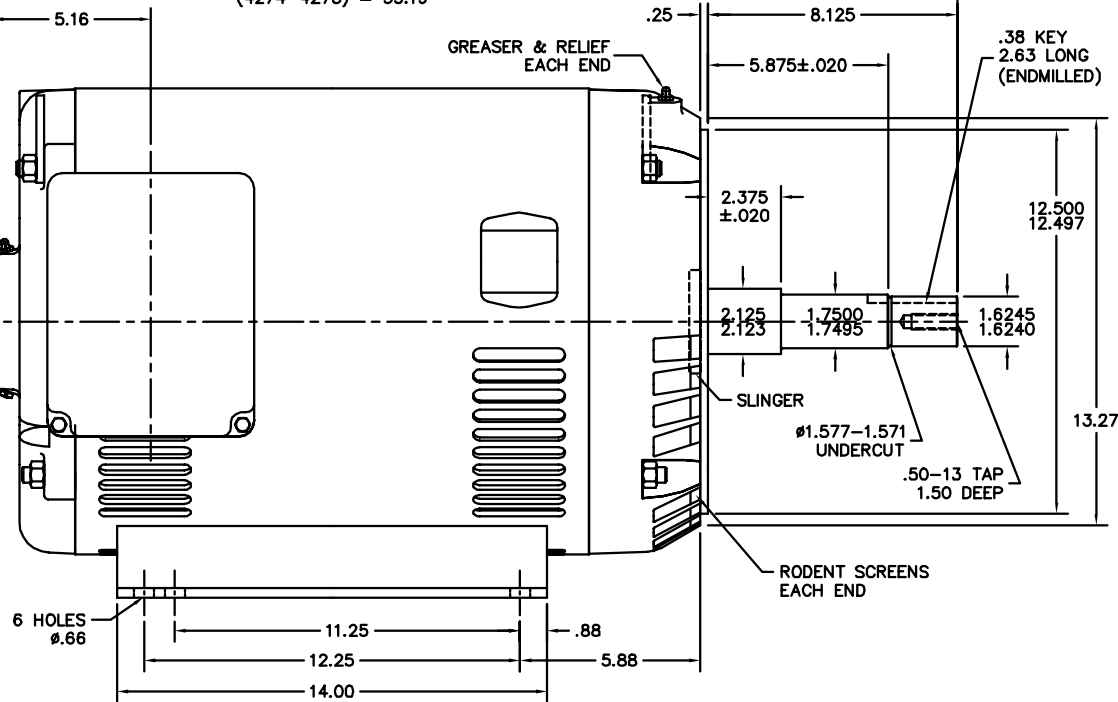


(4224-4254) = 30.44  
 (4256-4264) = 31.44  
 (4266-4272) = 32.44  
 (4274-4278) = 33.19



CUSTOMER IS RESPONSIBLE FOR DETERMINING THAT MOTOR PERFORMANCE IS SUITABLE IN THE APPLICATION.

REV. DESC: ADDED "F" LENGHTS			
REV. LTR: F	BY: RBM	REVISED: 14: 47: 48 03/19/2004	TDR: 327356
FILE: AAA00036550		REF: 42LYG038	
MTL: -			

**BALDOR ELECTRIC Co.**

STD HOR OPSB 364-5JP; RODENT SCREENS