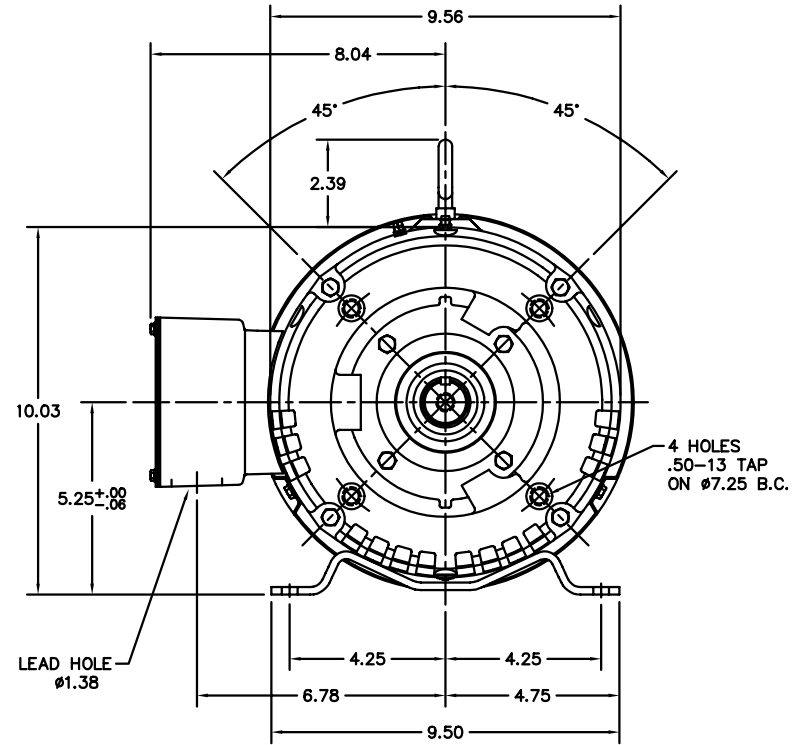


PULLEY END DETAIL



CUSTOMER IS RESPONSIBLE FOR DETERMINING THAT MOTOR PERFORMANCE IS SUITABLE IN THE APPLICATION.

REV. DESC: CHG'D FAN COVER FROM 07FH4004 TO 07FH4007			
REV. LTR: N	BY: YD	REVISED: 07/27/00 2:56	TDR: 0214999
FILE: AAA00018932		REF: -	
MTL: -			

BALDOR ELECTRIC Co.

STD HORZ 213-5JP TEFC 37M