

SHEET

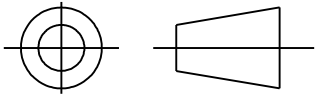
REV

SIZE DRAWING NO.

52A110687

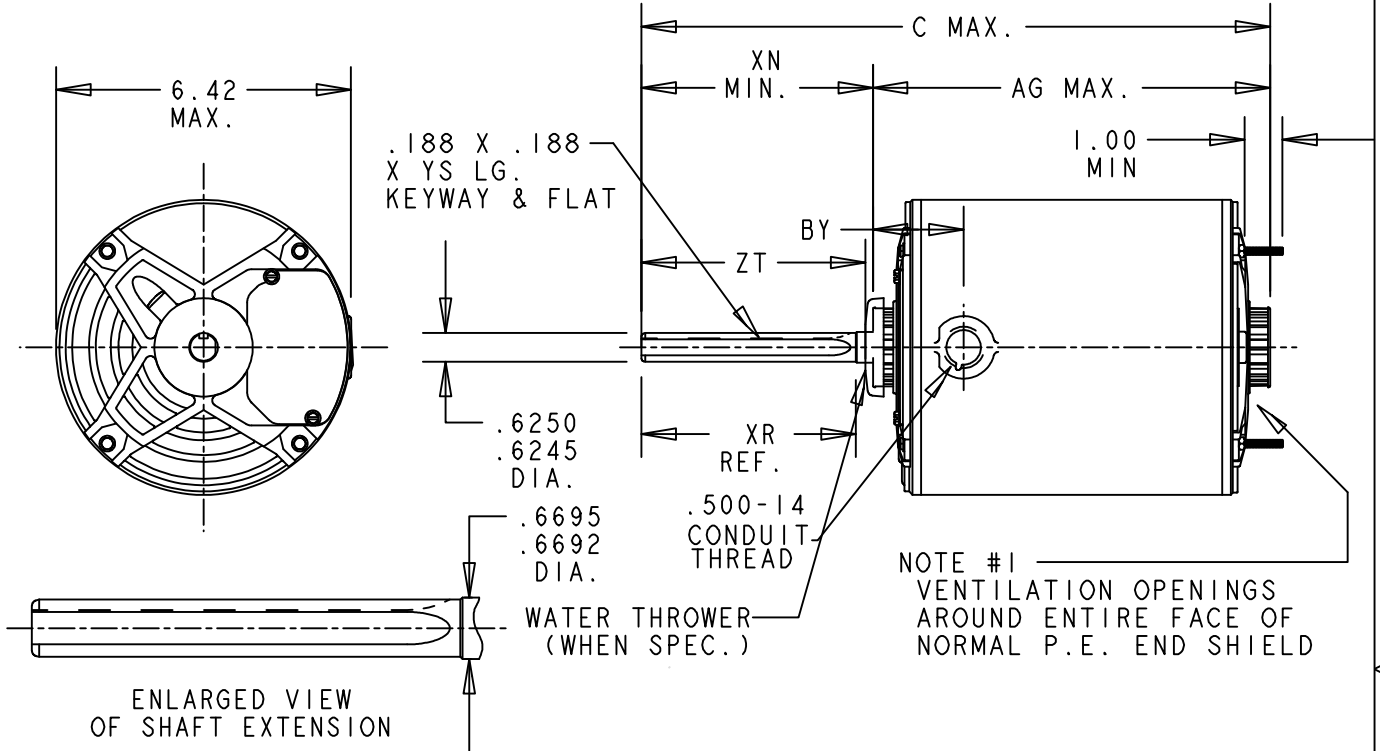
A

THIRD ANGLE PROJECTION




REVISIONS

REV.	DESCRIPTION	DATE	APPROVED
1	CHG TO RBC FORMAT PER IS05-1777	04/25/06	SUDHA



NOTE #1
VENTILATION OPENINGS
AROUND ENTIRE FACE OF
NORMAL P.E. END SHIELD

3	K	48	56Z	6.00	16.77	10.65	NOTE #1	8.43	2.07/1.95	5.74	4.00	
2	K	49	56Z	6.00	14.89	8.77	NOTE #1	6.55	2.07/1.95	5.74	4.00	
1	K	49	56Z	6.00	16.02	9.90	NOTE #1	7.68	2.07/1.95	5.74	4.00	5.77 5.73
P	TYPE	GE SIZE	NEMA FR	XN	C	AG	REMARKS	SHELL LG.	BY	XR	YS	ZT

SIGNATURES		DATE	REGAL-BELOIT CORPORATION	
MODEL	DURGA	05/23/03	 REGAL-BELOIT CORPORATION TITLE OUTLINE 40 FR. REDESIGN - OUTDOOR CONDENSOR - TENV (SE)- DRIP PROOF (PE) - BALL BEARING	
DETAIL	.	.		
CHECKED	.	.		
ENGRG	.	.		
MFG	.	.		
FOR ADDITIONAL INFO REFER TO:			SIZE	DRAWING
APPLIED PRACTICES	QUALITY	.	A	52A110687
DIMENSIONS ARE IN INCHES	ISSUED	DURGA 05/23/03	REV 1	
MATERIAL	SOLID MODEL: 52A110687		SCALE: 0.250 REF. No: . SHEET 1 of 1	