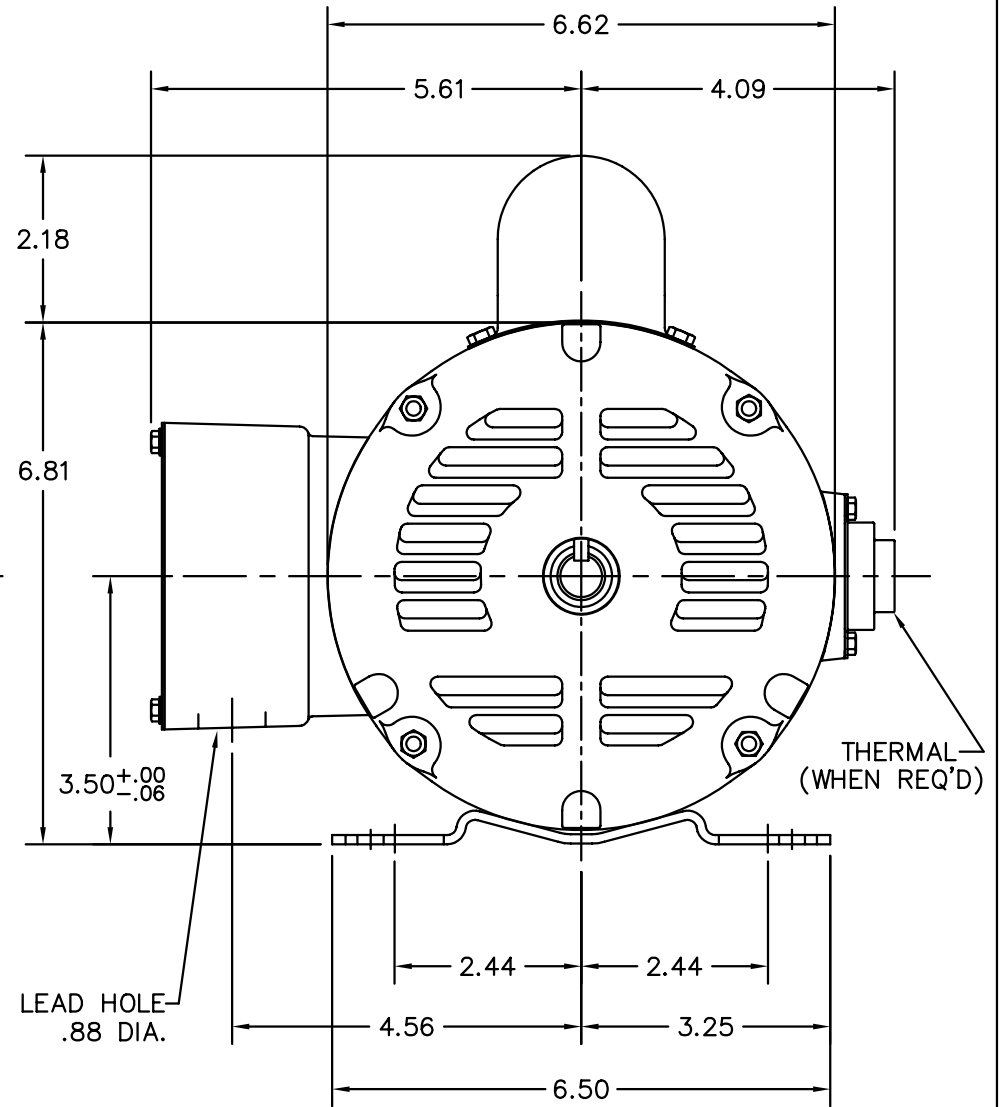
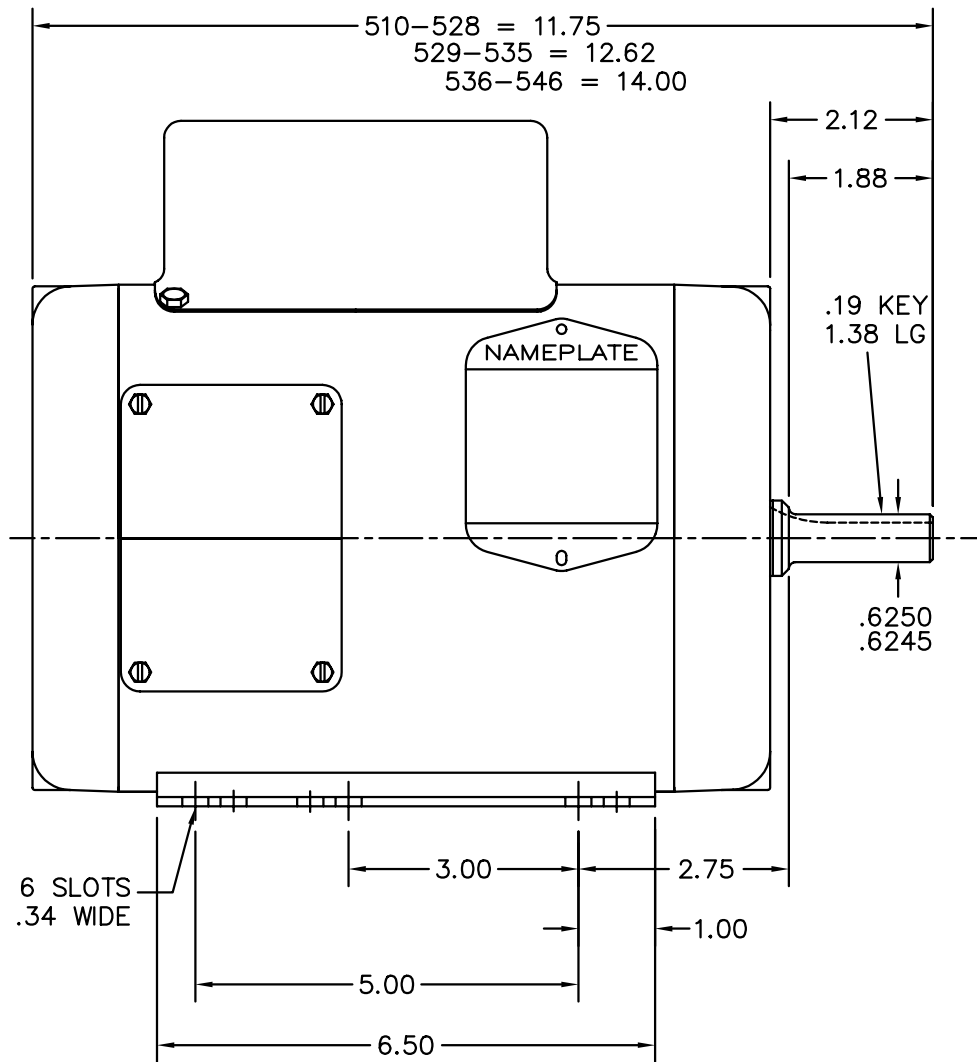


35LYJ384



CUST. NAME		CUST. P.O.		CERTIFIED BY		MODEL		INSUL		AMB							
H.P.		MTG		TYPE		R.P.M.		VOLTS		ENCL							
PHASE		FREQ		FRAME		<h1>BALDOR ELECTRIC Co.</h1> <p>STD HORZ 35L NEMA 56/56H OPEN</p>											
REV. DESC: CHG'D CONDUIT BOX AND LID (SEE EC09)																	
REV. LTR: D		BY: JED		REVISED: 04/09/99 11:14								TDR: 0171806					
35LYJ384		FILE: AAA00010412		MDL: -													
		MTL: -															

35LYJ384