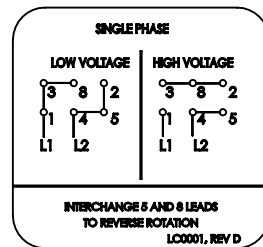


Ø.69 LEAD EXIT  
6X 18AWG LEAD  
4" INSIDE BOX  
#1-#5 & #8



SECTION A-A

CUSTOMER IS RESPONSIBLE FOR DETERMINING THAT BALDOR'S PRODUCT WILL PERFORM SUITABLY IN THE INTENDED APPLICATION

REV. DESC: CHG STATOR BAND AND THRU BOLTS

REV: A    VERSION: 01    REVISED: 10:06:47 09/19/2011    TDR: 000000712859

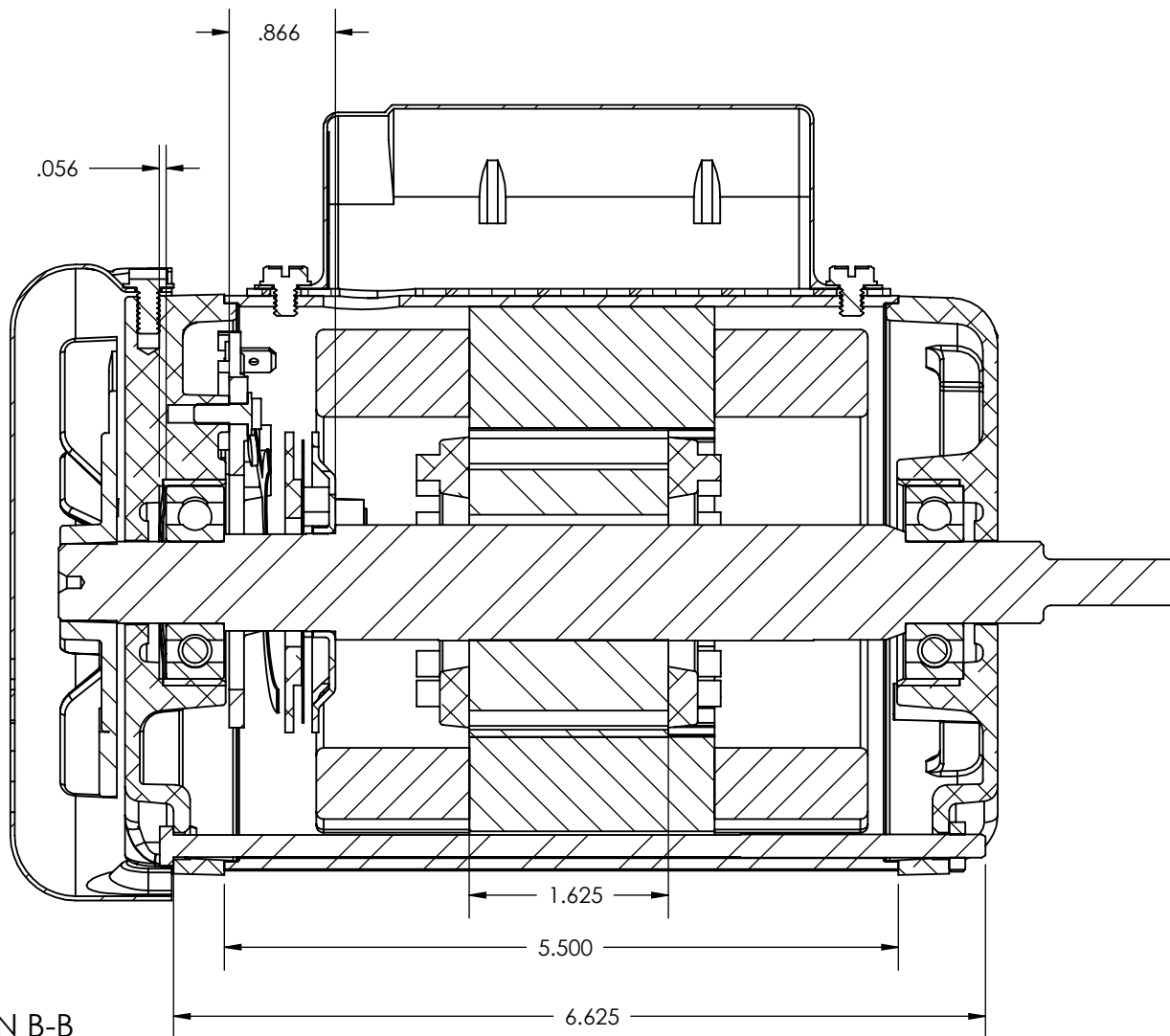
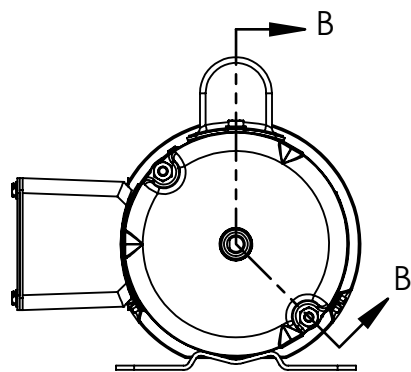
33-850-932

MODEL NO. 33-850  
BY: CKAPRB0

REF:

**BALDOR**

LY,33AC 13L 2P TEFC VER 42



REV. DESC: CHG STATOR BAND AND THRU BOLTS

REV: A	VERSION: 01	REVISED: 10:06:47 09/19/2011	TDR: 000000712859
--------	-------------	------------------------------	-------------------

33-850-932

MODEL NO. 33-850  
BY: CKAPRB0

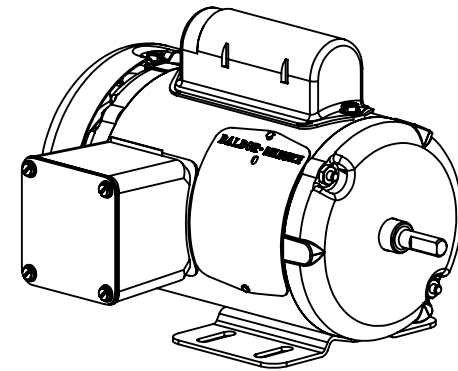
REF:

**BALDOR ELECTRIC Co.**

LY,33AC 13L 2P TEFC VER 42

ITEM NO.	PART NUMBER	33-850-932/QTY.
1	33EP3100A02	1
2	33SH7158A01	1
3	SKF - 6203 - 10,DE,NC,10_68	2
4	34RA2013A00A01	1
5	RS9005A01	1
6	33SA9210A32	1
7	33EP3100A01	1
8	HW5100A03	1
9	SP5073	1
10	51XB1016A07	2
11	51XB1016A04	2
12	NS2512A01	1
13	34GS1029	1
14	34CB3002A64	1
15	11XW1032G06	1
16	34GS1031A01	1
17	34CB4517	1
18	34GS3000	1
19	34CB4800	1
20	NS2500A01	1
21	33FN3000	1
22	12XN0832A16	1
23	XY1032A02	3
24	HW1003A08	1
25	33FH4001A01	1
26	LB1119	1
27	51XT0832A07	6
28	HA3100A79	2
29	51XB1016A06	3
30	NP1256	1
31	99XM0440S01	2
32	33f flex horizontal	1

33-850-932



33-850-932

REV. DESC: CHG STATOR BAND AND THRU BOLTS			
REV: A	VERSION: 01	REVISED: 10:06:47 09/19/2011	TDR: 000000712859
33-850-932		MODEL NO. 33-850	REF:
		BY: CKAPRB0	

**BALDOR ELECTRIC Co.**

LY,33AC 13L 2P TEFC VER 42