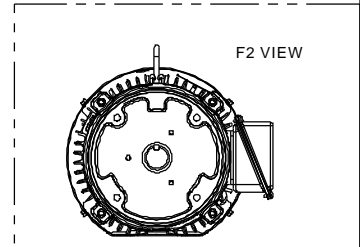
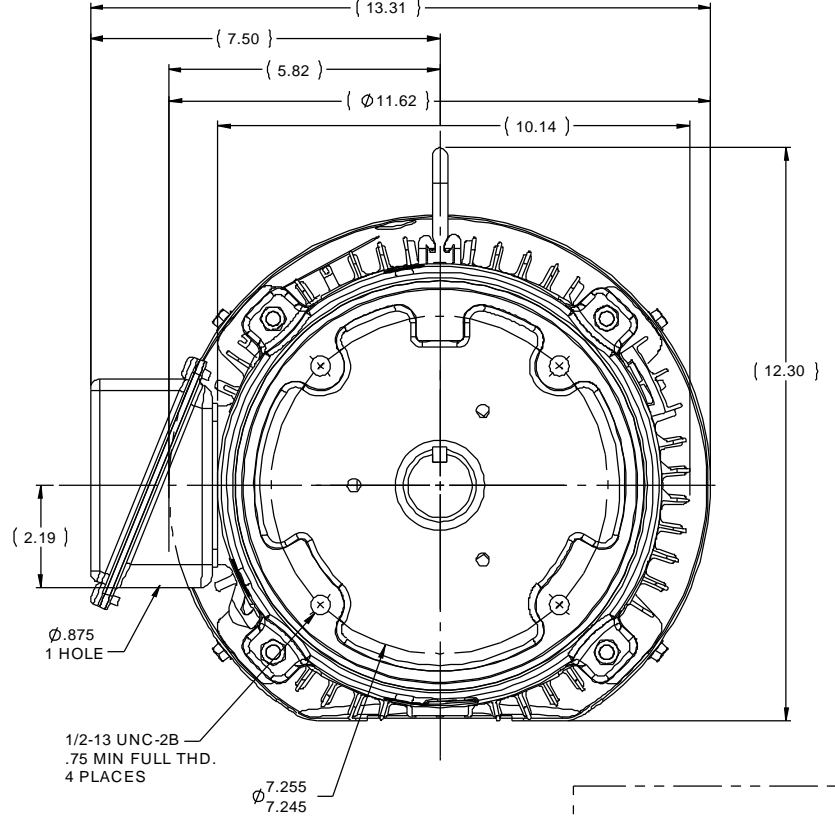
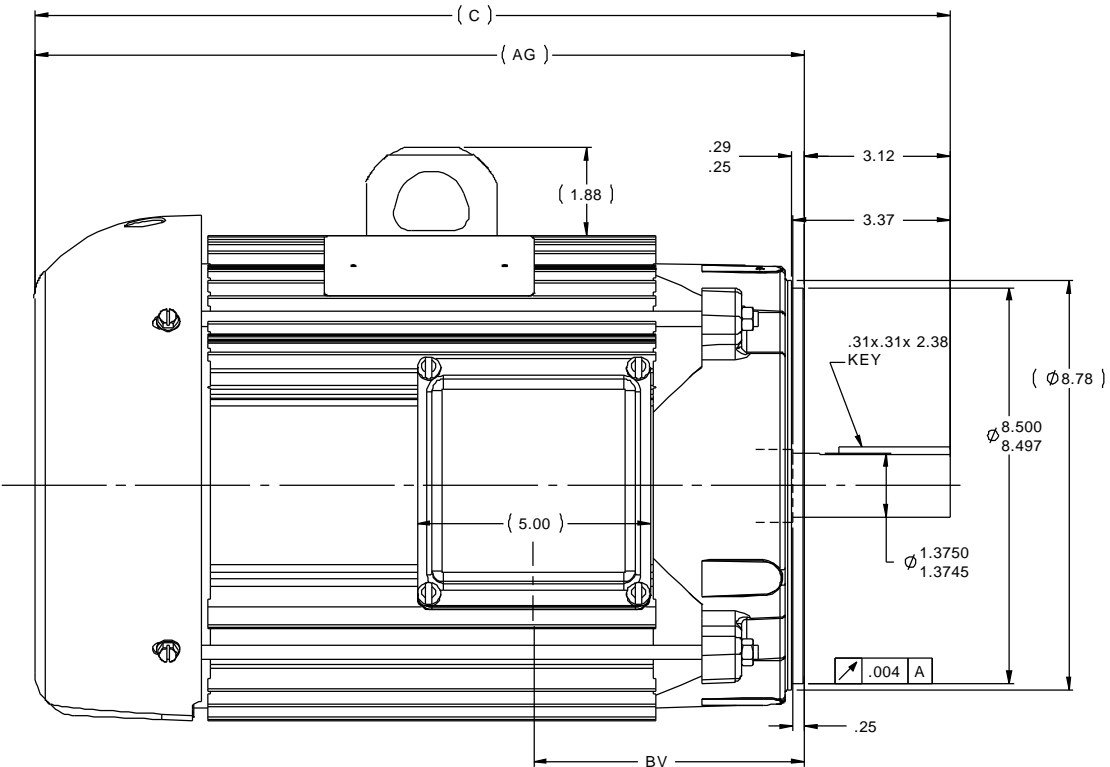


SS330122LN



NOTES:  
 1- BOX CAN BE ROTATED IN 90° STEPS.  
 2- NAMEPLATE TO BE READ FROM C'BOX SIDE OF MOTOR.

DASH	FRAME	C	AG	BV
800	215TC	18.13	15.01	5.81
950	215TC	19.63	16.51	5.81
1050	215TC	20.63	17.51	5.81

		TOLERANCES UNLESS SPECIFIED				Lincoln Motors		DRAWN MJK 08-29-05		
		DEC	INCHES					CHK	DRS 08-29-05	
		X	±.1					APPR	DRN 08-29-05	
		XX	±.03	TITLE		OUTLINE NEMA MOTORS		SCALE	1:2.66667	
		XXX	±.005			210T0 FR. - TEFC - FOOTLESS		REF		
2	CORRECTED AG & BV 08-0059	RWR	01-08-2008	ML	XXX	±.0005	MAT'L	FMF		
1	SWITCH 'BV' AND 'AG' LABELS ECN8850	RWR	07-05-2006	ML	XXXX	±.0005	FINISH	PREV		
NO	REVISION	BY & DATE	CHK	ANG	±7'30"	FINISH	CAD FILESS330122LN			
THIS DRAWING IN DESIGN AND DETAIL IS OUR PROPERTY AND MUST NOT BE USED EXCEPT IN CONNECTION WITH OUR WORK. ALL RIGHTS OF DESIGN AND INVENTION ARE RESERVED. THIS IS AN ELECTRONICALLY GENERATED DOCUMENT - DO NOT SCALE THIS PRINT								SIZE	DRAWING NO	REV
								B	SS330122LN	2