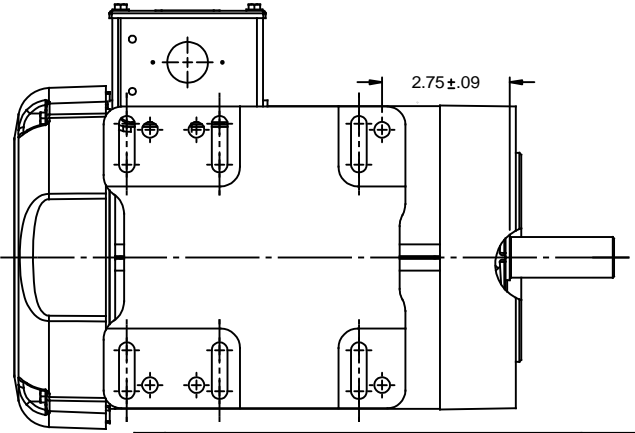
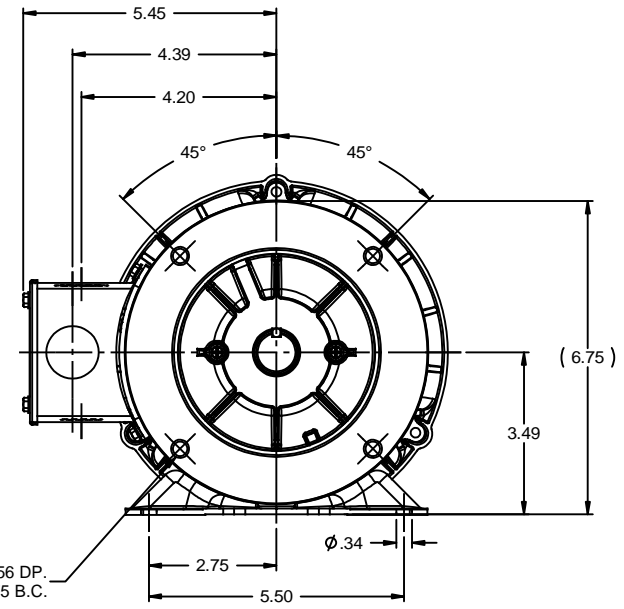
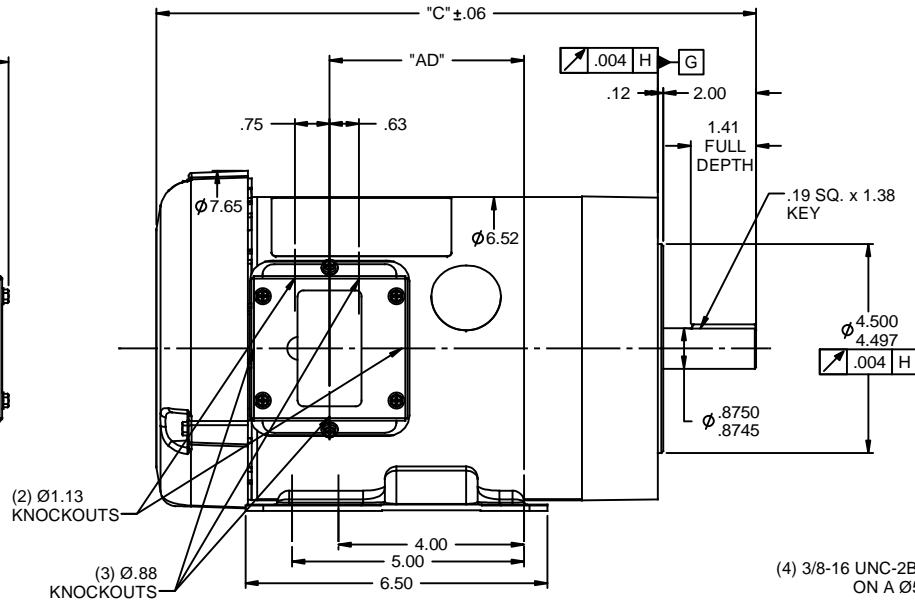
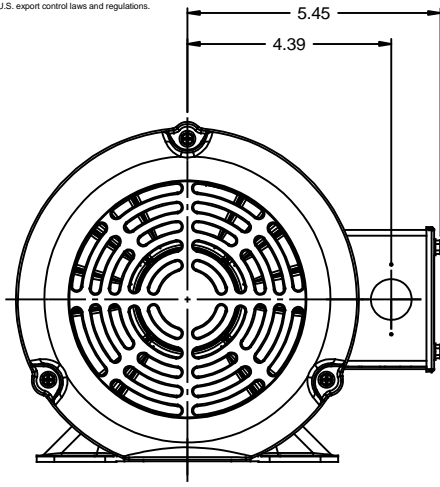



RBC PROPRIETARY AND CONFIDENTIAL INFORMATION  
 This document is the property of REGAL BELOIT CORPORATION ("RBC") including its subsidiaries and divisions and contains proprietary information of RBC. This document is loaned on the express condition that neither it nor the information contained therein shall be disclosed to others without the express written consent of RBC, and that the information shall be used by the recipient only as approved expressly by RBC. This document shall be returned to RBC upon its request. This document may be subject to certain restrictions under U.S. export control laws and regulations.



NOTE:  
 1) GASKETS THROUGHOUT

DASH NO.	"C"	"AD"
650	12.43	3.69
700	12.93	4.19
750	13.43	4.69
800	13.93	5.19
850	14.43	5.69

		TOLERANCES UNLESS SPECIFIED				DRAWN VS 1/12/2011	
		DEC INCHES				CHK	
		X ±.1		APPR			
		.XX ±.03		TITLE OUTLINE - 140TC FRAME		SCALE 3:8	
		.XXX ±.005		TEFC - RIGID "C" FACE		REF 028786	
		.XXXX ±.0005		MAT'L		FMF	
NO		REVISION		BY & DATE		PAGE OF	
		THIRD ANGLE PROJECTION		CHK ANG ±1/2°		FINISH GENERAL PURPOSE	
		RFP		PREV		SIZE DRAWING NO	
		NETWORK FILE NAME 028786LN		REV		B 028786LN	