



A Regal Brand

Catalog # : LM24118

Product Type: AC MOTOR

Description: 1.5,1725,TEFC,56H,3/60/208-230/460

Model: SRF4S1.5T61

Stock: Stock

Quote: Price:

Date: 10/14/2014



A Regal Brand

Catalog # : LM24118

Product Type: AC MOTOR

Description: 1.5,1725,TEFC,56H,3/60/208-230/460

Model: SRF4S1.5T61

Stock: Stock

Engineering Data

Volts	230	Volts	460	Volts	190-208/380-415
F.L. Amps	4.8	F.L. Amps	2.4	F.L. Amps	5.4-5.6/2.7-2.8
S. F Amps	5.4	S. F Amps	2.7	S. F Amps	

RPM	1800	Hertz	60/50	TYPE	TS
HP	1 1/2	Duty	CONTINUOUS	Phase	3
KW	1.119	Serv. Factor	1.25	Code	K
Frame	56H	Design	B	Therm.Prot.	
Max Amb	40	Protection	NOT	PF	
Insul Class	B	Eff 75%		Bearing OPE	203
Eff 100%	80	CSA	Yes	Bearing PE	203
UL	V-INS, CONST UL REC	CE		Speed Range	UNK
CC Number		Inverter Type	NONE		
Load Type					

Motor Wt.	30 LB	Enclosure	TEFC	Lubrication	STANDARD
Nameplate		Mounting	RIGID	Rotation	REV
Assembly		Shaft Dia.		Ext. Diag.	A-EE7308-LN
Cust Part No		Outline	A-100107LN-706	Ext. Diag2	
Packaging	B	Outline Dash No		Winding	ZT416
Carton Label		Paint	UNK	GROUP :	3
Iris				Test Card	

Form Factor		RMS Amps		Const TorqueSpeed Range
Torque		Peak		
AB Code		Peak@DegC		
Resistance				
Connection				

Rework Status	Rework TYPE
---------------	-------------

Hazardous Loc
Explosion Proof
Class
Class

NONE

Temp Op Code
GROUP
GROUP

Brake Motors
FORCE
VDC
ADC

Brake Coil OHMs @25 C

Performance
Torque UOM
Torque
CURRENT (amps)
Efficiency (%)
PowerFactor

Inertia (WK²)

Load Curve Data @60/50 HzVolts,1 1/2Horsepower

Load	Amps	KW	RPM	Torque	Eff	PF	Rise By Resis	Frame Rise
0.0	1.7	0.15	1800	0.0	0.0	10.5	0.0	-
0.25	1.8	0.4	1780	1.1	66.5	29.5	0.0	-
0.5	1.95	0.7	1770	2.2	77.5	46.5	0.0	-
0.75	2.2	1.0	1755	3.4	80.0	60.0	0.0	-
1.0	2.4	1.4	1735	4.5	80.0	74.0	58.0	-
1.15	2.7	1.6	1730	5.2	80.0	75.0	75.0	-
1.25	2.8	1.7	1725	5.7	78.5	76.0	90.0	-
1.2	2.8	1.65	1728	5.4	79.0	75.5	82.0	-

SOURCE: CALCULATED GROUP: 3

Load Curve Data @60/50HzVolts,1 1/2Horsepower

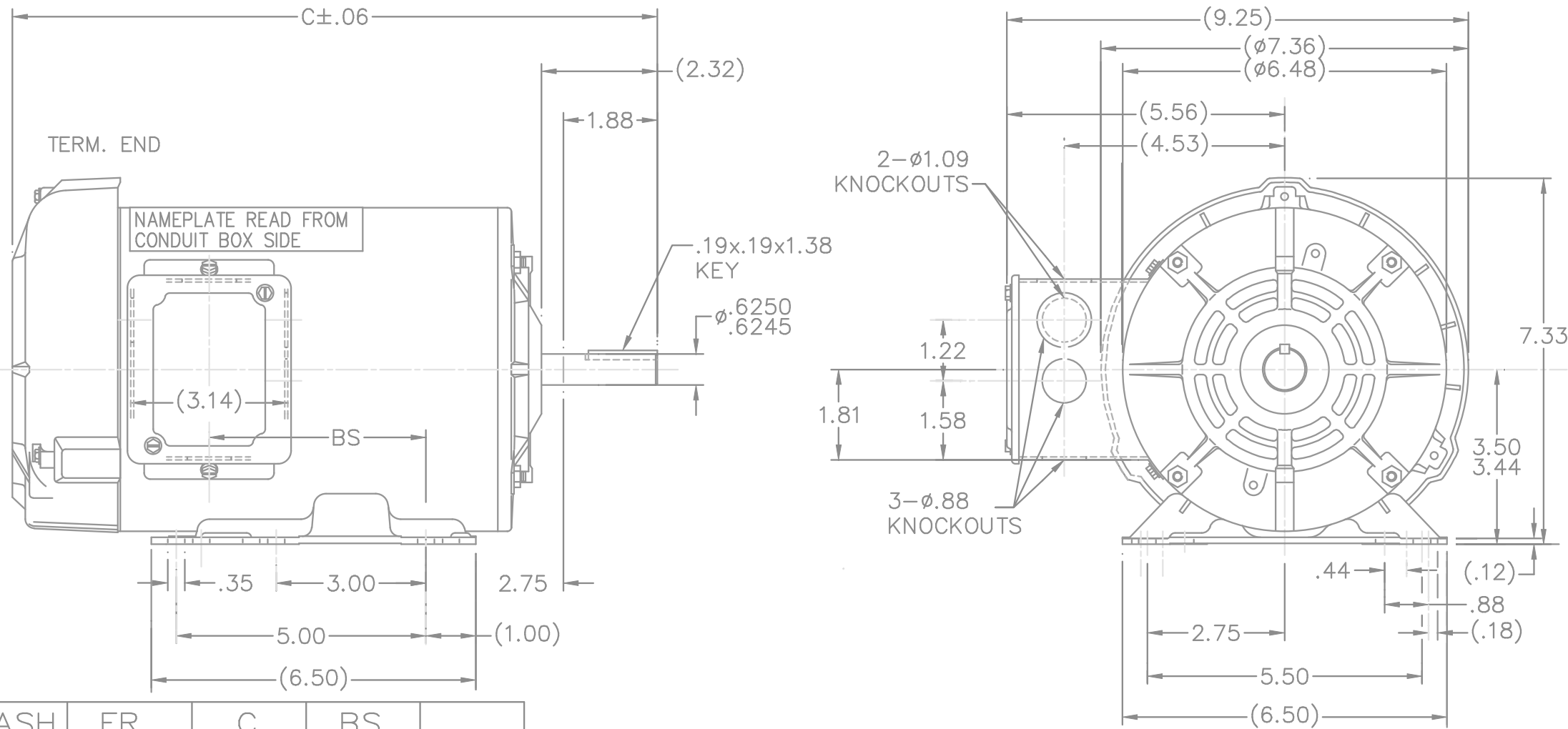
Load	Amps	KW	RPM	Torque	Eff	PF	Rise By Resis	Frame Rise
------	------	----	-----	--------	-----	----	---------------	------------

Load Curve Data Not Available

Quote: Price:

Date: 10/14/2014

100107LN



DASH	FR.	C	BS	
656	56-65	11.82	3.25	
706	56-70	12.32	3.75	
756	56-75	12.82	4.25	
856	56-85	13.82	5.25	3/2/05
906	56-90	14.32	5.75	

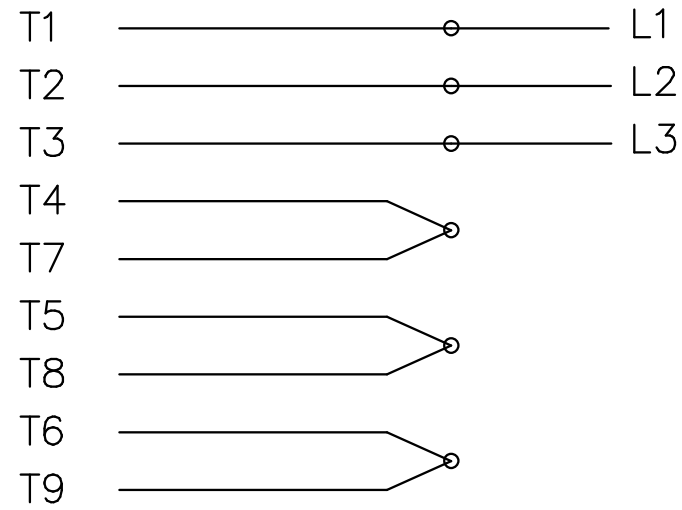
			TOLERANCES UNLESS SPECIFIED		REGAL-BELOIT <i>Motor Technologies Group</i>	DRAWN TB 07/27/1999	
			DEC.	INCHES		CHK ML 07/27/1999	APPD GK 07/27/1999
			.X	±.1	TITLE OUTLINE 56 FR.-BB-TEFC-3Ø	SCALE 1=1	
2	ADDED DASH 906 & CORRECTED MOTOR WIDTH MU37509	DS 06/21/2001	.XX	±.02		REF	
1	NEW DRAWING	TB 07/27/1999	.XXX	±.005	MAT'L.	FMF	
NO.	REVISION	BY & DATE	CHK	ANG	FINISH	PREV	
			RFP		CAD FILE 100107ln		SIZE DRAWING NO. PAGE OF REV.
			DIST WP				A 100107LN 2

THIS DRAWING IN DESIGN AND DETAIL IS OUR PROPERTY AND MUST NOT BE USED EXCEPT IN CONNECTION WITH OUR WORK ALL RIGHTS OF DESIGN AND INVENTION ARE RESERVED THIS IS AN ELECTRONICALLY GENERATED DOCUMENT - DO NOT SCALE THIS PRINT

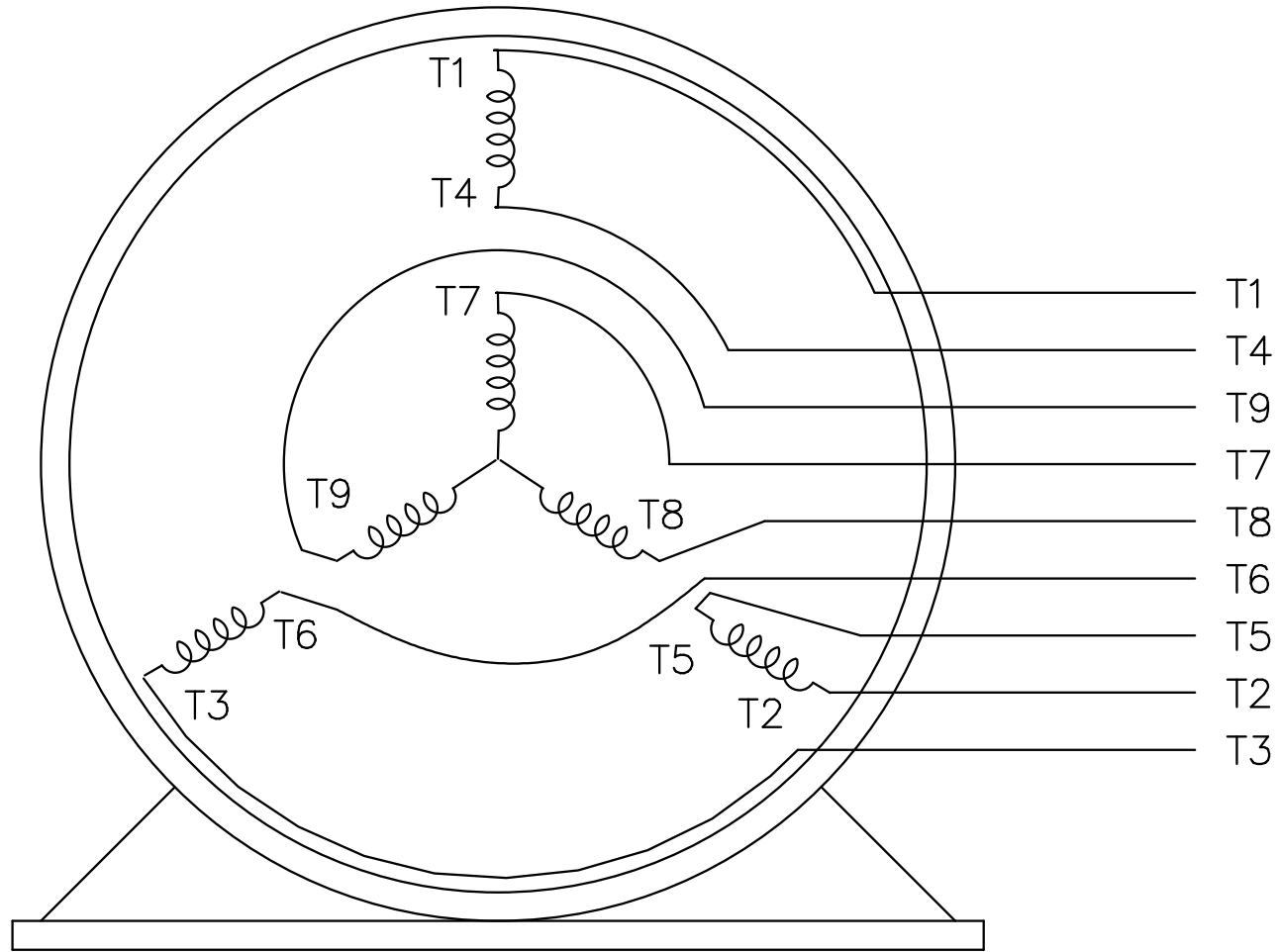
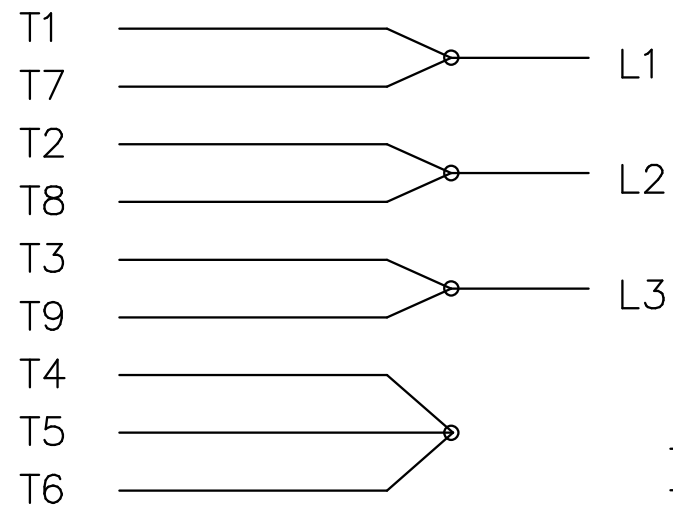
THREE PHASE
DUAL VOLTAGE MOTOR

EE7308-LN

HIGH VOLTAGE



LOW VOLTAGE



VIEW OF TERMINAL END

REF.
WINDING DIAGRAM

T8Y, T2Y, T2BL, T4BX, T2EC, T2G
T6BZ, T2B, T6BL, T4AV, T6B, T4B

OPTIONAL CORD
CONNECTION

L1 WHITE
L2 RED
L3 BLACK

NO.	REVISION	BY & DATE	CHK	TOLERANCES UNLESS SPECIFIED		FINISH	CAD FILE	SIZE	DRAWING NO.	PAGE OF	REV.
				DEC.	INCHES						
				.X	±.1						
3	ADDED THE OPTIONAL CORD CONNECTION MU46318	RDH 04/24/2003	DRS	.XX	±.02						
2	RE-ISSUE, ADDED '-' TO PART NUMBER	BLR 08/09/1999	GK	.XXX	±.005						
1	NEW DRAWING	BLR 06/18/1999	GK	.XXXX	±.0005						
				ANG	±7'30"						
			RFP				EE7308LN	A	EE7308-LN	3	
			DIST	WP							



DRAWN BLR 06/11/1999

CHK ML 06/18/1999

APPD GK 06/18/1999

SCALE 1=1

REF

FMF

PREV